

Shapes Collection

Dual-Layered Banner Stands

exhibiting solutions



Impact and Convenience: Shapes Collection

The most unique banner stand available! Skyline's Shapes Collection Banner Stand gives you visual impact and depth with layered graphics profiled to complement your message and brand.

Designed to Impress

Big, colorful graphics that support and convey your marketing message are sure to impress clients and prospects – giving you the opportunity to engage and sell.

Lightweight and Convenient

Shapes Collection is lightweight and, even with its unique graphic layers, sets up quickly and easily.

Carrying Case and Shipping Case

Available soft-sided case and hard shipping case for multiple units provide protection during transport.

Fulfills Multiple Needs

Banner stands are great for trade shows, events, retail areas, lobbies and more.

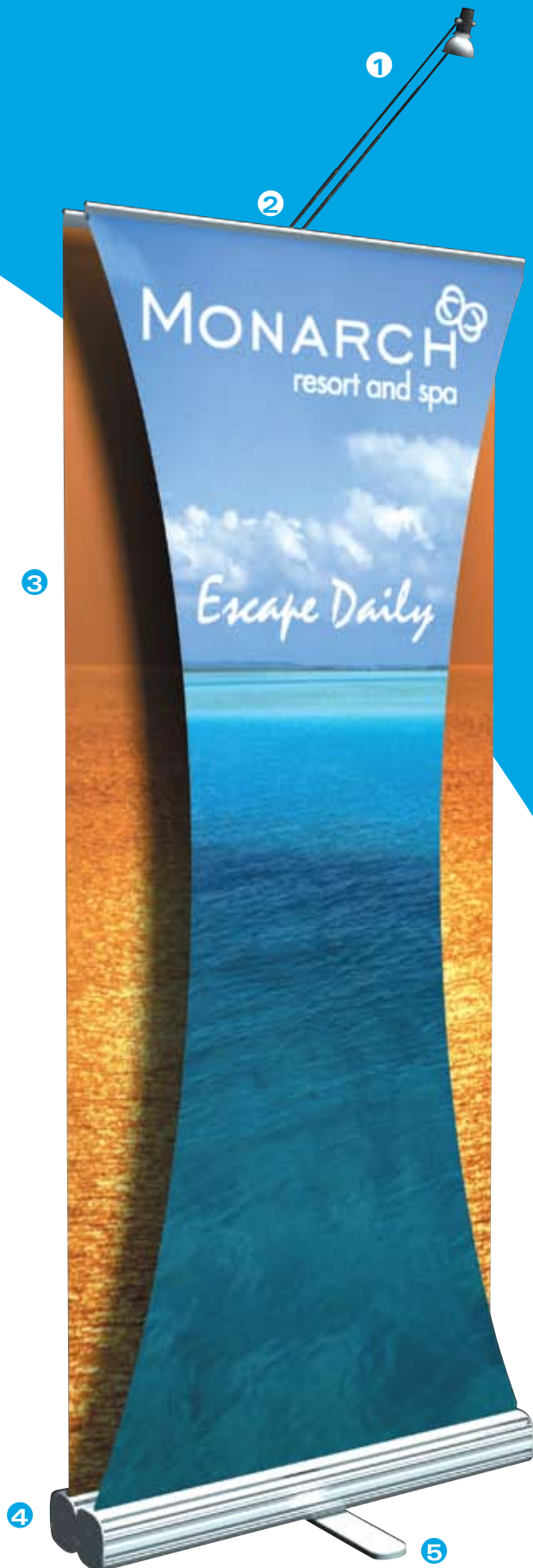


Shapes Collection can be used on its own or in multiples to create an impactful trade show display.

Sets Up In Seconds



It's easy. Insert the shockcordinated support pole into the base then raise and attach the graphic panels that are housed within the base.



1 Halogen Lighting – 50 Watt
Simply clips to the graphic spacer bar and highlights your graphic.

2 Graphic Support Pole
Sections are conveniently shock-corded for easy set up. The pole is hidden between panels.

3 Layered Fabric Graphics
Communicate your message in style with vibrant, durable fabric or UV graphics. Front panel is profiled for a layered, custom look.

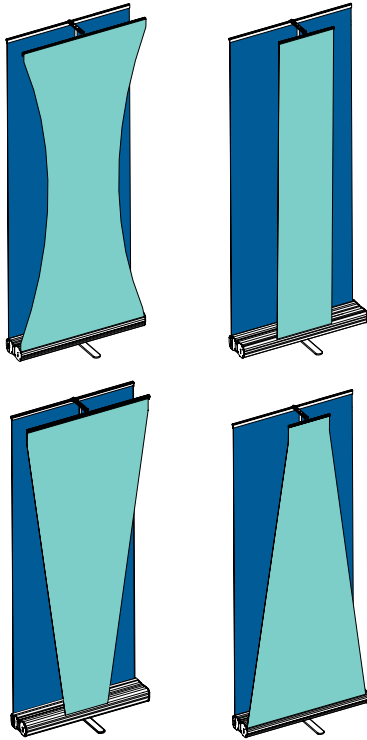
4 Spring-Loaded Base
Protects your graphic during transportation and storage. The base also contains a **Graphic Exchange Strip** (below) which allows you to easily change your graphics on-site.



5 Support Stand
Simply swivels open during use and back for streamlined packing.

Shapes Collection

Specifications

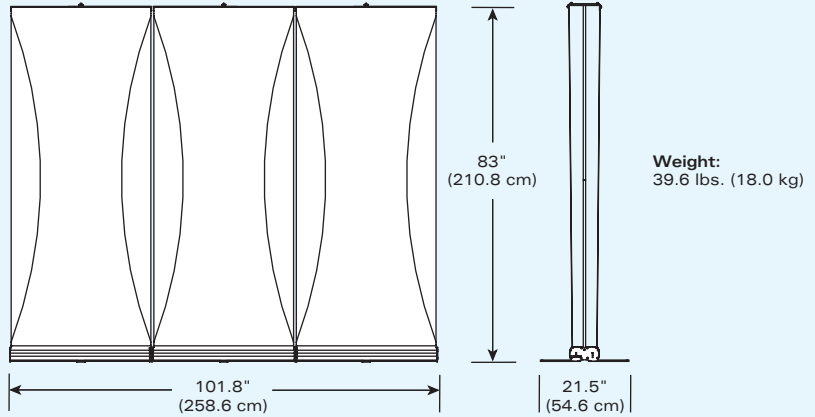


The front graphic panels in the Shapes Collection can be cut in a variety of designs to best fit your brand.

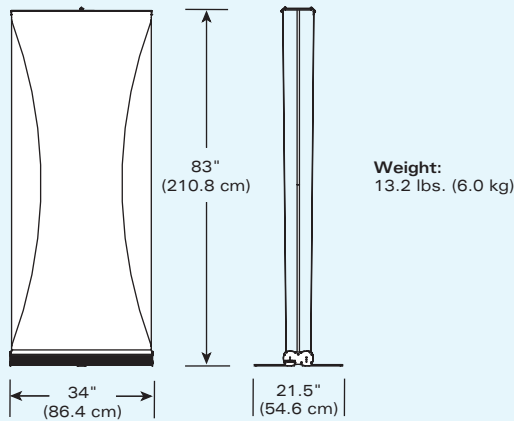


Change your look or message without investing in new hardware. The Graphic Exchange System allows you to easily change out your graphic panel.

Triple Unit



Single Unit

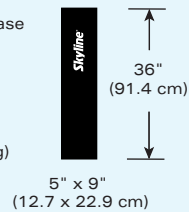


Carrying Case

Soft-sided case with strap

Fits 1 unit

Weight:
1.8 lbs. (.8 kg)



Shipping Case

Hard oval case with wheels

Fits 3 units

Weight:
16 lbs. (7.3 kg)

