

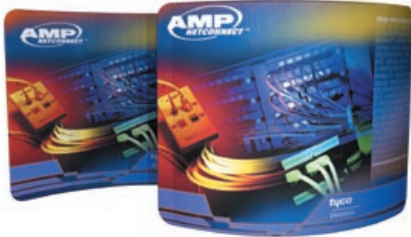
Regatta™ Fabric Display

Seamless graphics, shockcorded frame

exhibiting solutions



Regatta™ Display



Regatta's frame sets up without tools and is shockcorded for easy assembly!

Fabric graphic cover simply slips over the frame and zips closed on one side. With seams around perimeter, you get full, continuous graphics on both front and back!



Available as a 10' inline or convenient tabletop display, Regatta is a perfect marketing tool for your sales force.

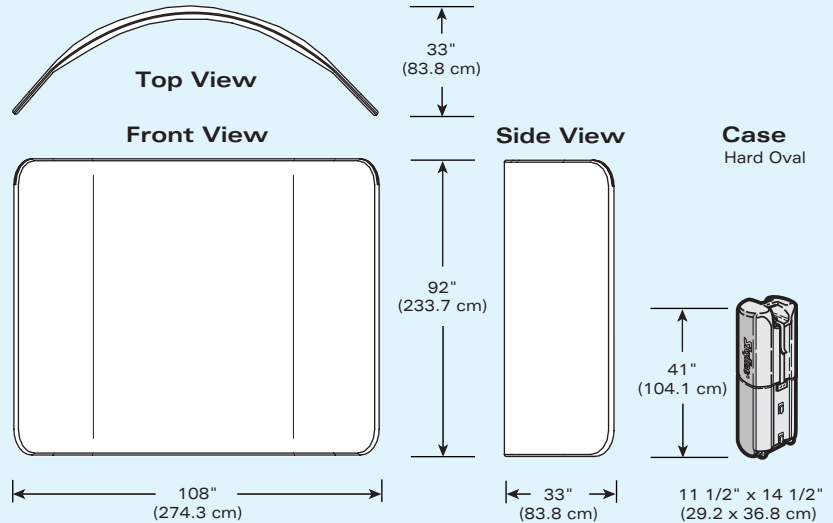


Regatta's hard oval case can be transformed into a stylish table. Both 10' inline and tabletop models, along with the case table kit, conveniently pack in a single case!

Specifications

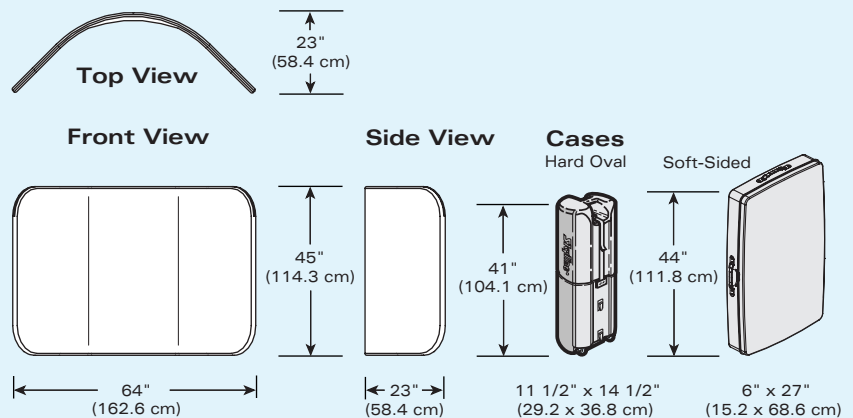
10' Inline Display

Weight:
With Hard Case: 51.0 lbs. (23.2 kg)



Tabletop Display

Weight:
With Hard Case: 34.6 lbs. (15.7 kg)
With Soft Case: 31.2 lbs. (14.2 kg)



Skyline Exhibits
3355 Discovery Road
St. Paul, Minnesota 55121

1-800-328-2725
1-651-234-6592 International

www.skyline.com