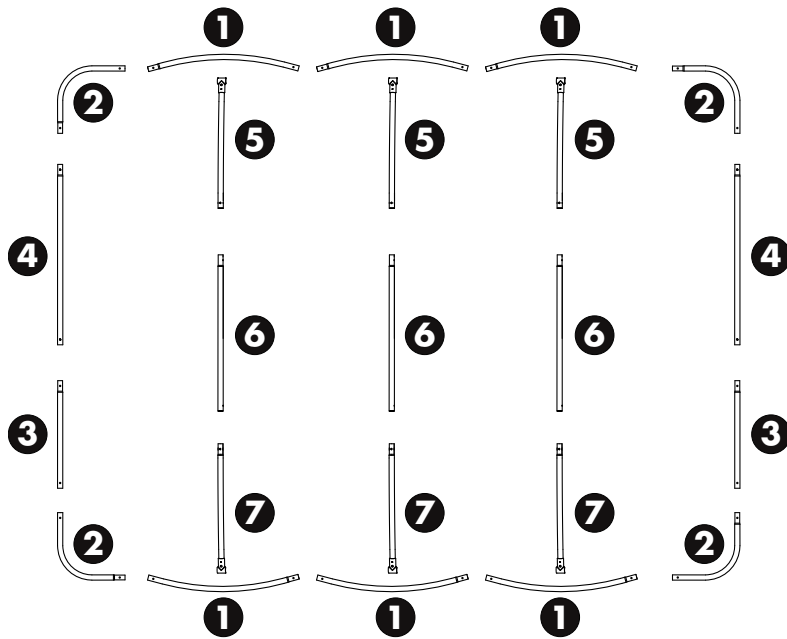
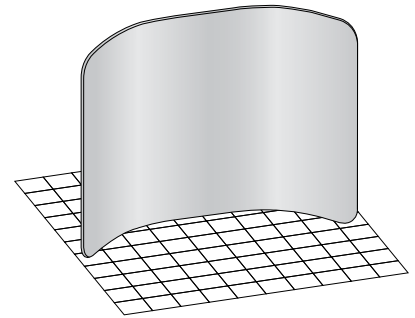


Regatta™ 10' Inline Display

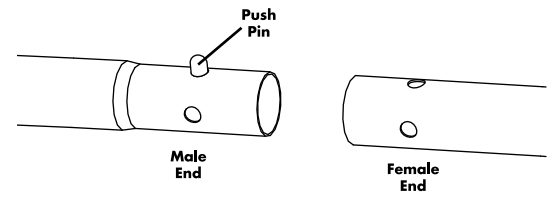
Frame Assembly



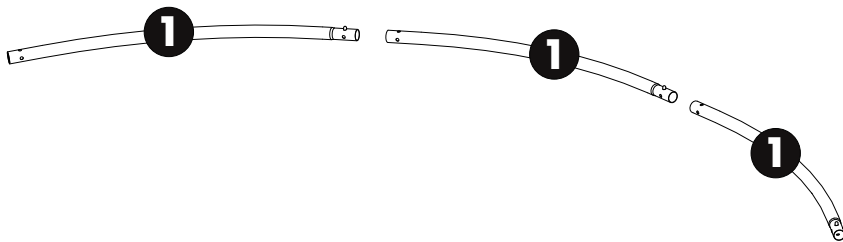
Note that the tubes are labeled sequentially.



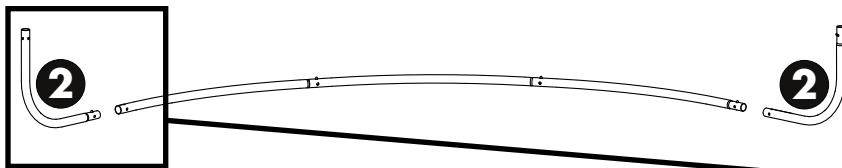
1. Take all the parts out of the hard case



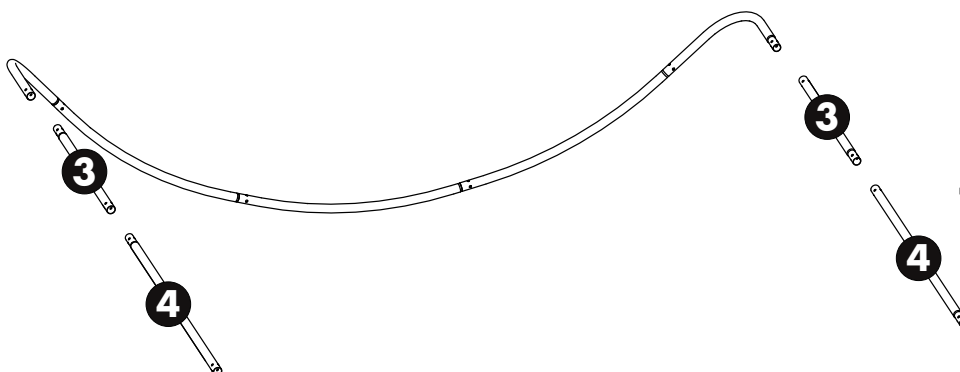
You will notice that the tubes have a male and female connection and an easy push pin attachment system. During the construction of the frame, **make sure the push pins are to the inside of the frame.**



2. Create the bottom and top curve, connecting 3 tubes labeled 1 for the top and the 3 tubes also labeled 1 for the base.



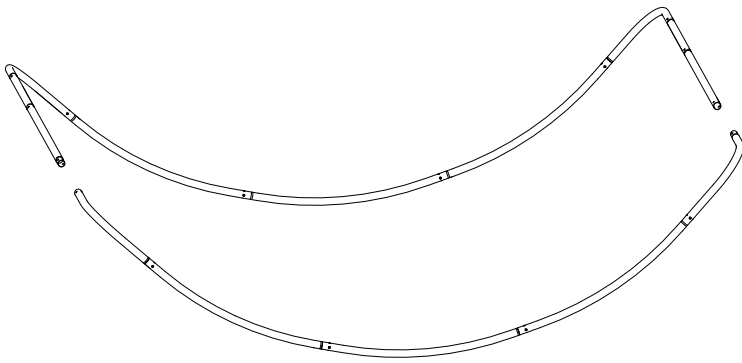
3. Attach the curved corner sections #2 to the top and bottom curve.



4. Connect tubes #3 and #4 on both sides.

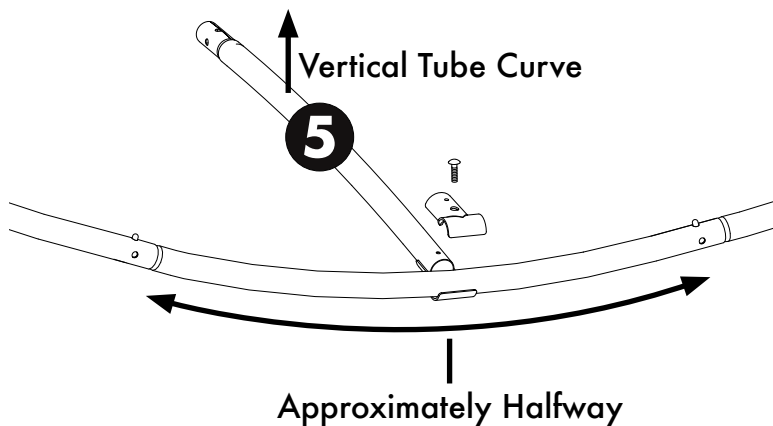
Regatta™ 10' Inline Display

Frame Assembly



5. Connect the top corner tubes #2 on both right and left side of system to the #4 vertical tubes.

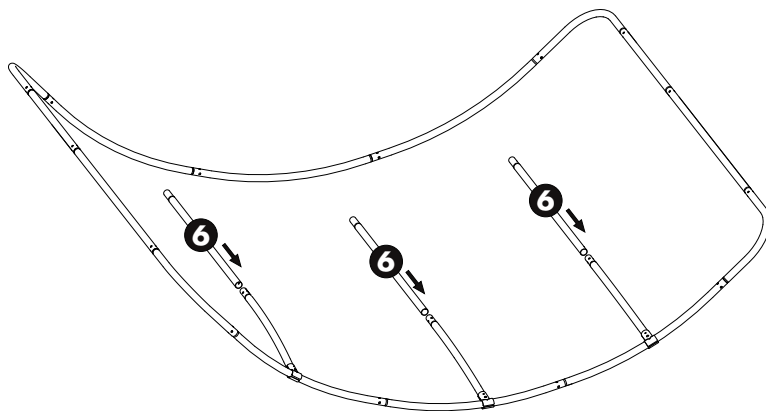
The outer frame is now complete.



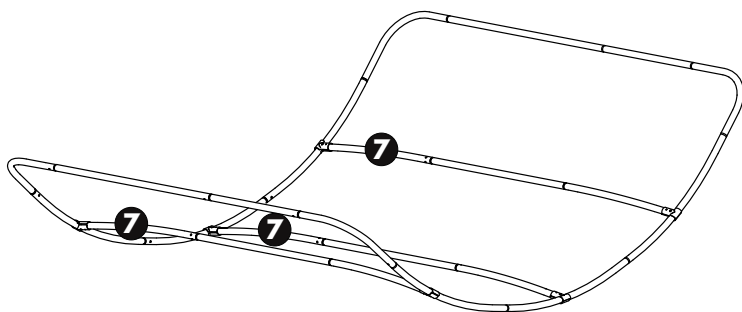
6. With the frame still lying in a "scoop" shape, you will be connecting the clamps. The curve of the vertical tubes will be facing toward the shorter or concave curve of the system. The pins on the vertical center tubes will be facing to the side.

Use the Allen wrench provided to unscrew the clamp, and position it approximately halfway between the pin sets on each of the bottom and top #5 curved tubes.

Screw back together tightly into place. Do this for each of the clamp tubes on the base curve.



7. Connect #6 tubes onto #5



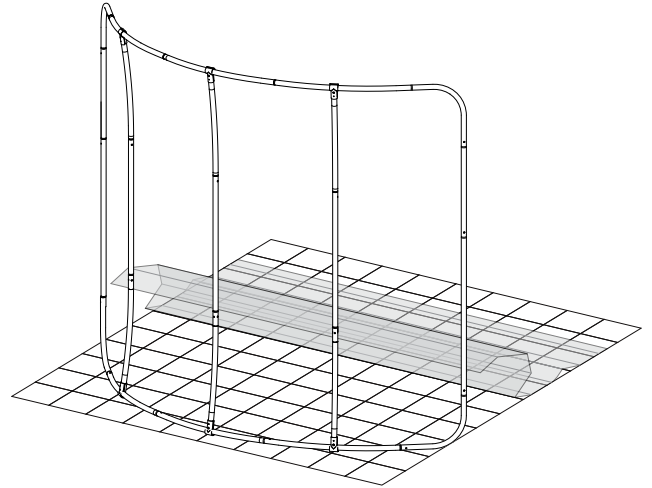
8. Next connect the #7 tubes to the #6 tubes. Repeat the step of attaching the clamp portion of the #7 tubes to the top curve at the curve tube midpoints.

The hardware frame is now complete.

Regatta™ 10' Inline Display

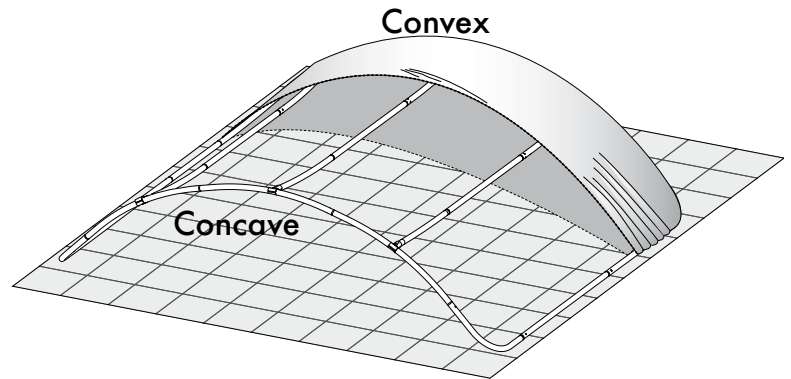
Banner Installation

1. Set the frame upright so you can lay a plastic sheet on the floor to protect the fabric cover when installing.



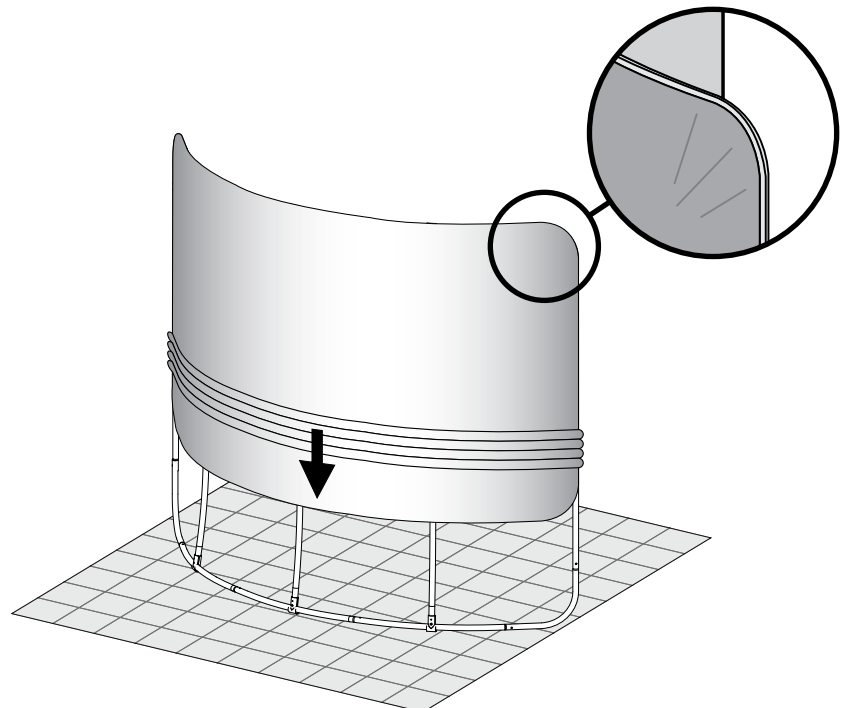
2. Lay the frame down on top of the plastic with convex side up (opposite of how you had it positioned to assemble tubes).

3. Remove the fabric cover from the nylon storage bag, unzip the cover and spread it out on the floor. The liner side of the cover goes on the convex side of the frame.



4. Slide pillowcase-like cover over the frame about half way.

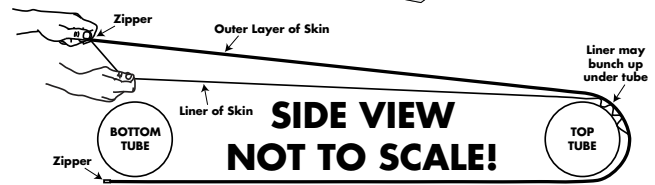
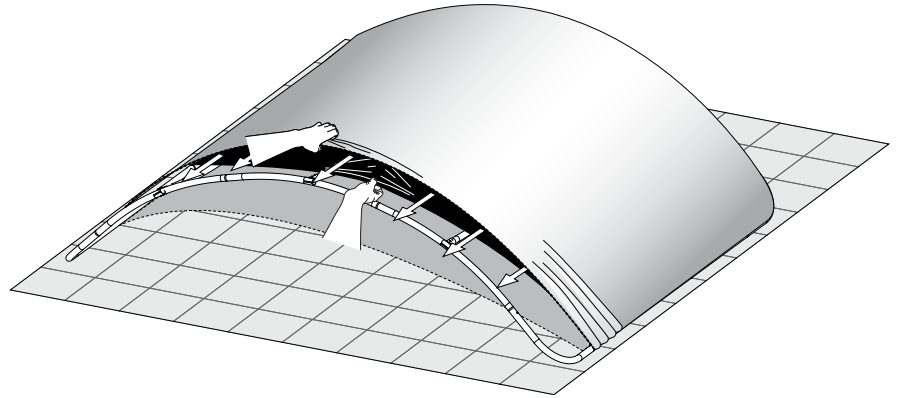
5. Stand the frame up and the cover will easily slide down over the frame. Fit the top corners tightly on the frame.



Regatta™ 10' Inline Display

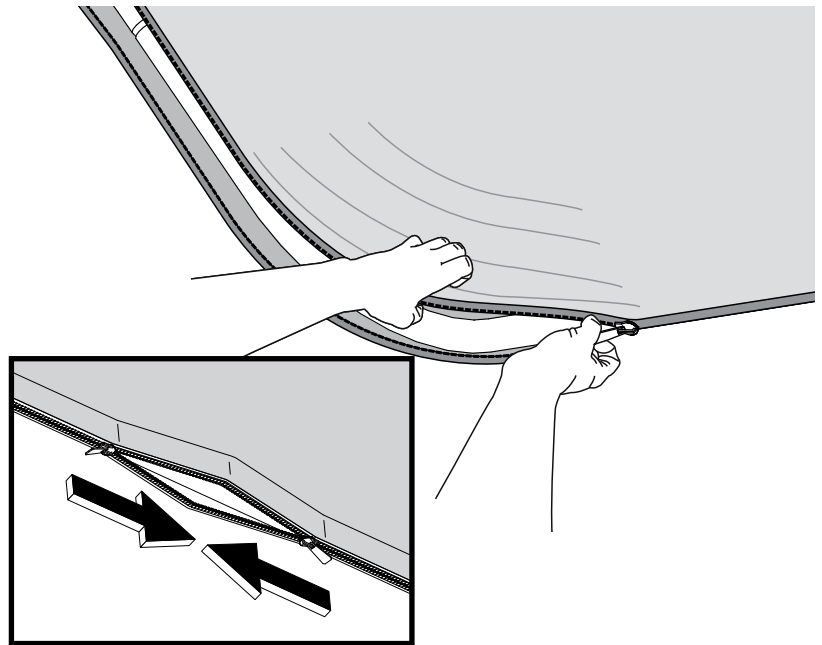
Banner Installation

7. Lay the frame back down convex side up.
8. The black liner piece can get caught on the top of the frame. Separate the liner from the fabric graphic and pull it down all along the width of the bottom edge.



REMEMBER: Pull Liner down across the entire width of the frame

9. Fit the bottom cover corners on the frame. Start zipping one side around its corner as far as the first tube joint. Move to the second corner and zip it to the first joint as well. If you have trouble getting the second zipper started, pull the fabric down from the top of the frame along that edge. The fabric can get somewhat twisted when the first corner gets zipped.
10. Continue zipping the rest of the cover. One person can do this but it is easier to have one person pull up the concave side of the fabric cover which has no liner and will stretch more, and the other do the zipping. Pull fabric about 6" ahead of the zipper pull.



11. When you have finished the zipping and they both meet in the center, move both zipper pulls around to one side to they do not interfere when the structure is standing. Stand the finished structure upright and go around the frame and align the edge seams of the banner with the frame to improve the look of the graphic.

The frame is very flexible. If it does not sit "flush" on the floor, twist the frame slightly to bring it into square.

Note: The top seam is finished with 3 button holes for future light application and the bottom with one button hole for the lighting cord.

