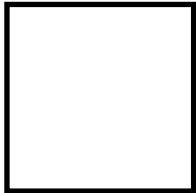
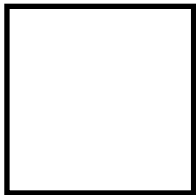
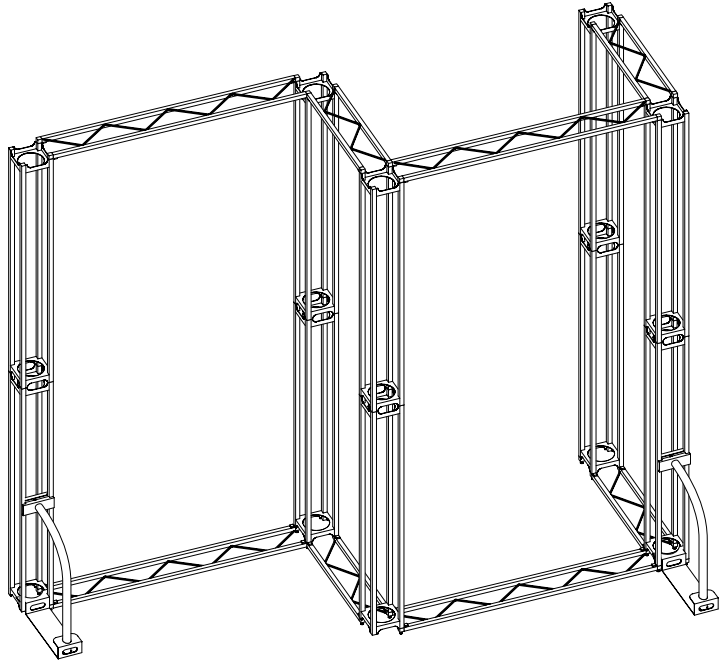


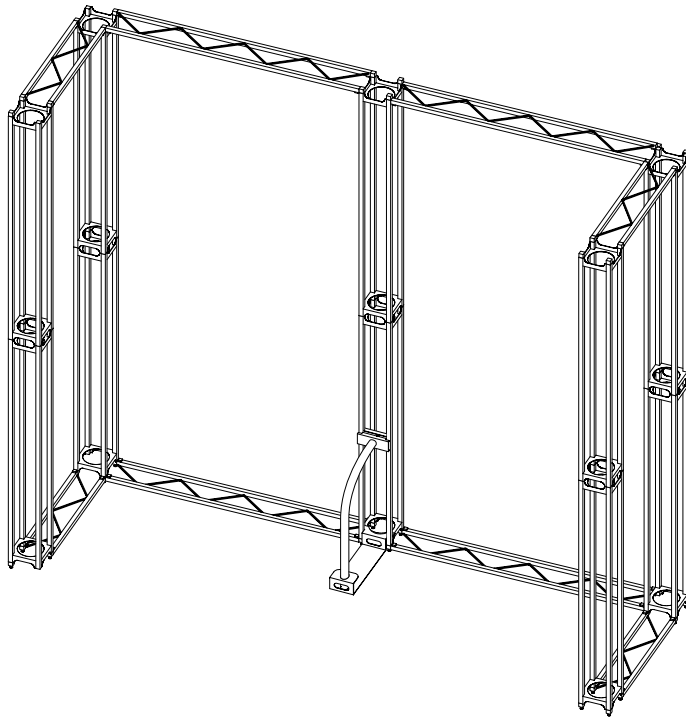
This Kit was preconfigured  
by Skyline Exhibits for:



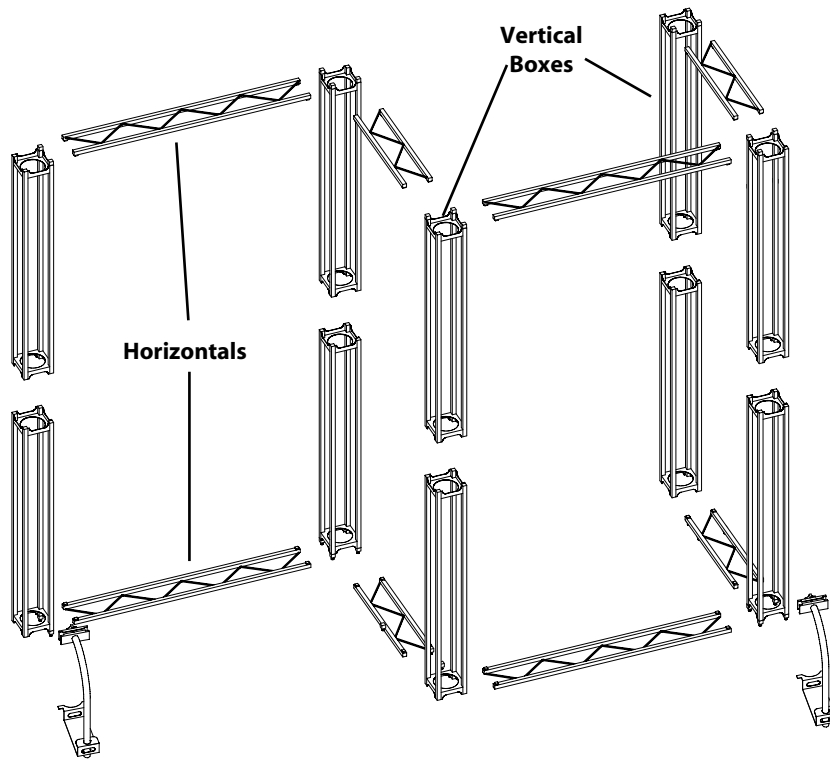
**Kit #1.4**



**Kit #1.5**

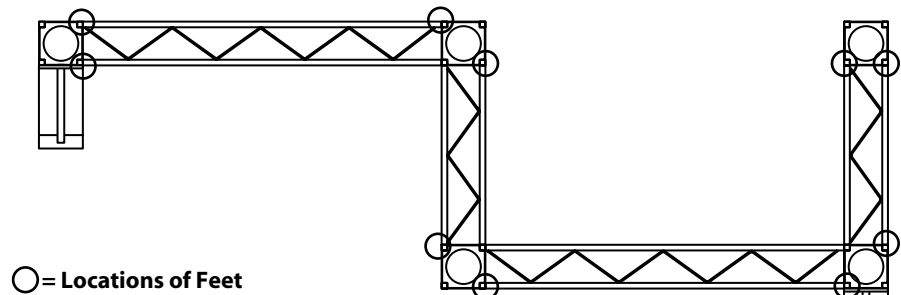
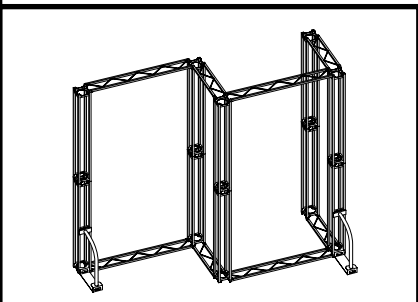


## Kit #1.4

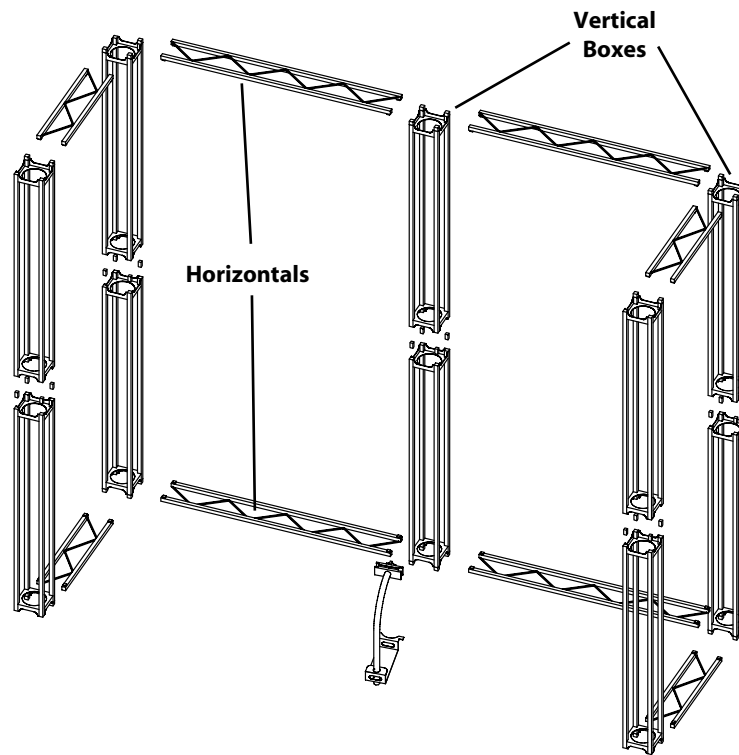


### Assembly Sequence:

1. Assemble all vertical boxes first.
2. Place vertical boxes in approximate positions before adding horizontals, noting placement of feet and positions of "L" and "Y" connectors (see Basic Assembly - page 3).
3. After assembly, level the unit by adjusting feet.
4. Install fabric graphic banners after leveling unit.
5. Install cable graphics.
6. Install counters and shelves.
7. Assemble and install the curved header (if used).
8. Finally, add lights onto top horizontals.

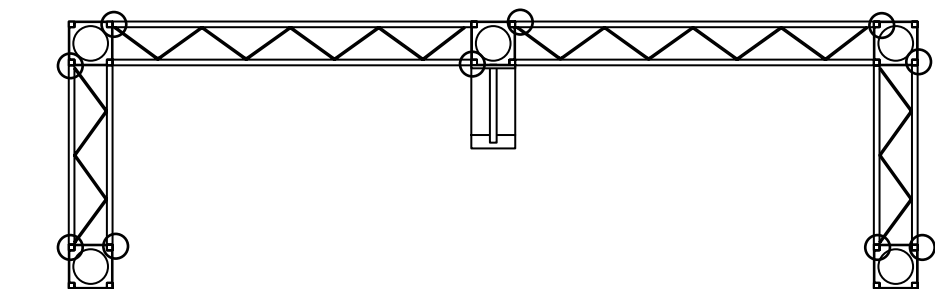
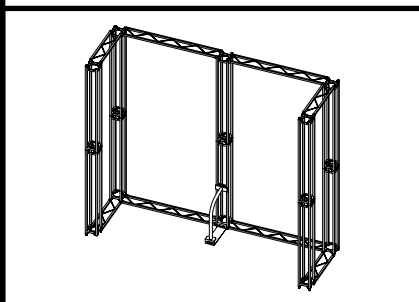


## Kit #1.5

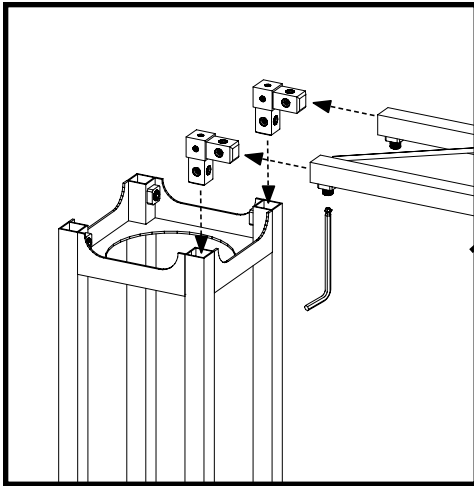


### Assembly Sequence:

1. Assemble all vertical boxes first.
2. Place vertical boxes in approximate positions before adding horizontals, noting placement of feet and positions of "L" and "Y" connectors (see Basic Assembly - page 3).
3. After assembly, level the unit by adjusting feet.
4. Install fabric graphic banners after leveling unit.
5. Install cable graphics.
6. Install counters and shelves.
7. Assemble and install the curved header (if used).
8. Finally, add lights onto top horizontals.

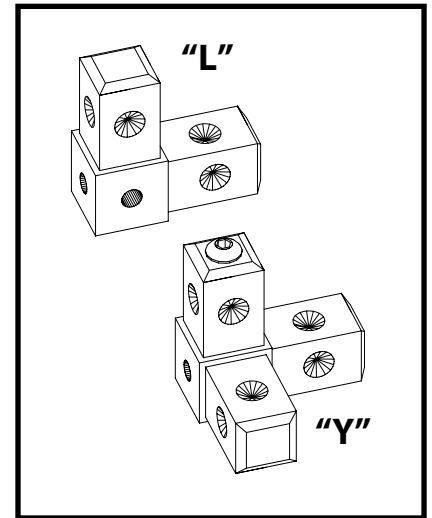
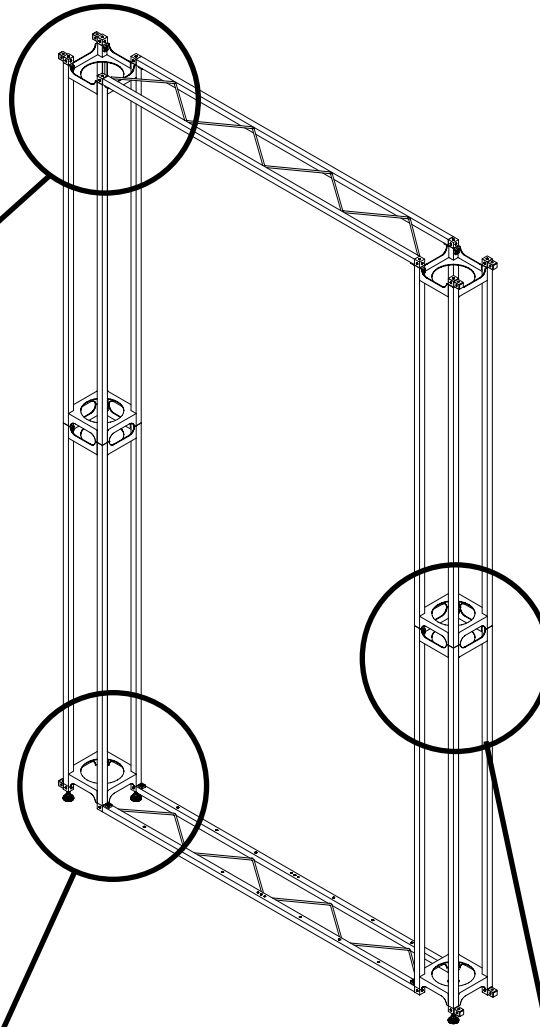


○ = Locations of Feet



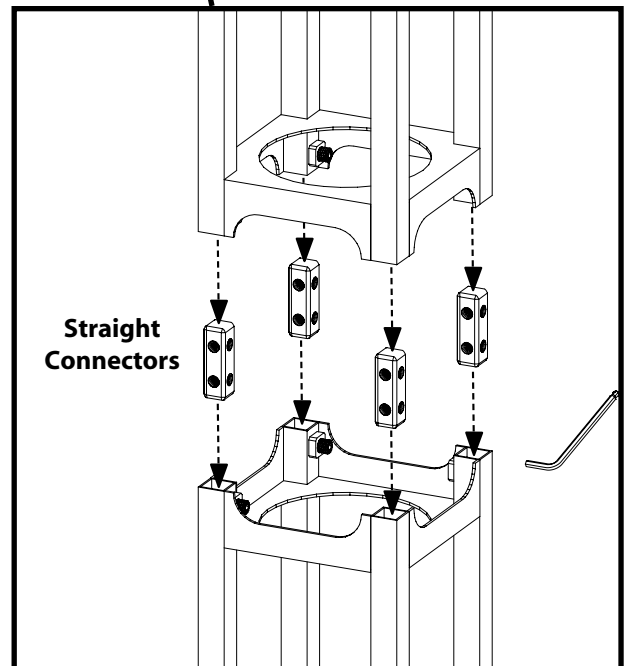
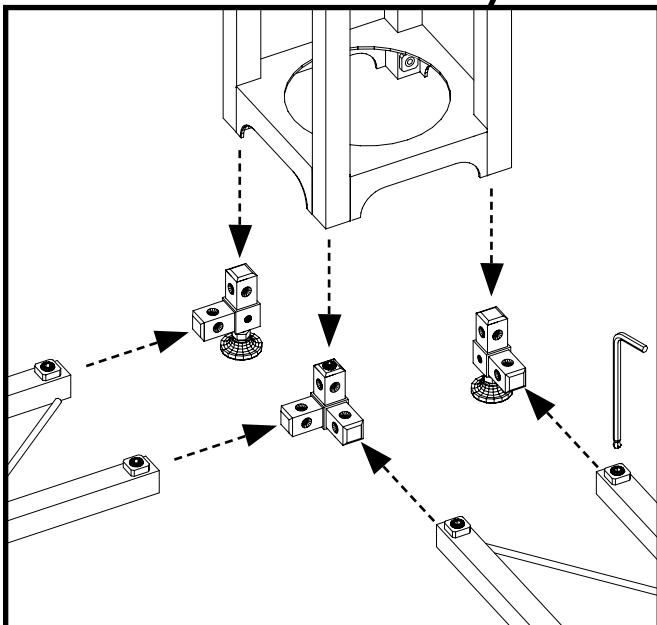
The basic box vertical structure is attached to the horizontal truss pieces by either the "L" or the "Y" connector. The "L" connector is used to connect one truss piece to the box. The "Y" connector is used to connect two truss pieces to the box structure at right angles. Connectors are used both at the base and the top of the box. The connectors can also be reconfigured if needed.

**Note:** Do not remove feet and connectors when repacking unless the unit will be reconfigured at the next setup.

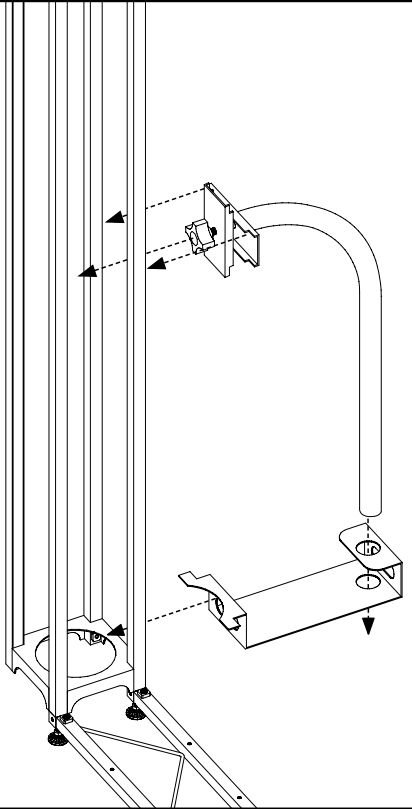


**"L" and "Y" Connectors**

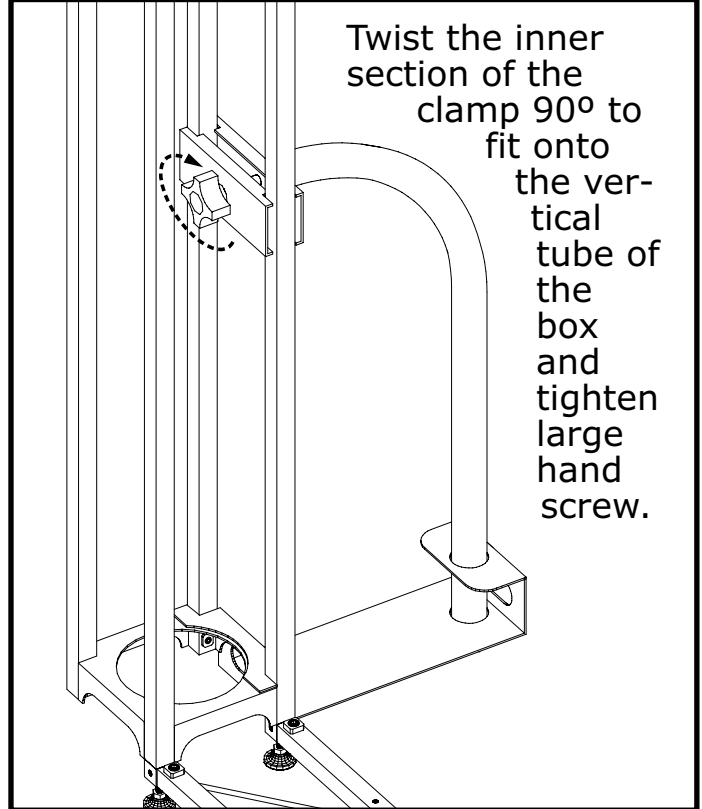
Two box structures are connected with the straight connector. **All connectors are tightened with an allen wrench.**



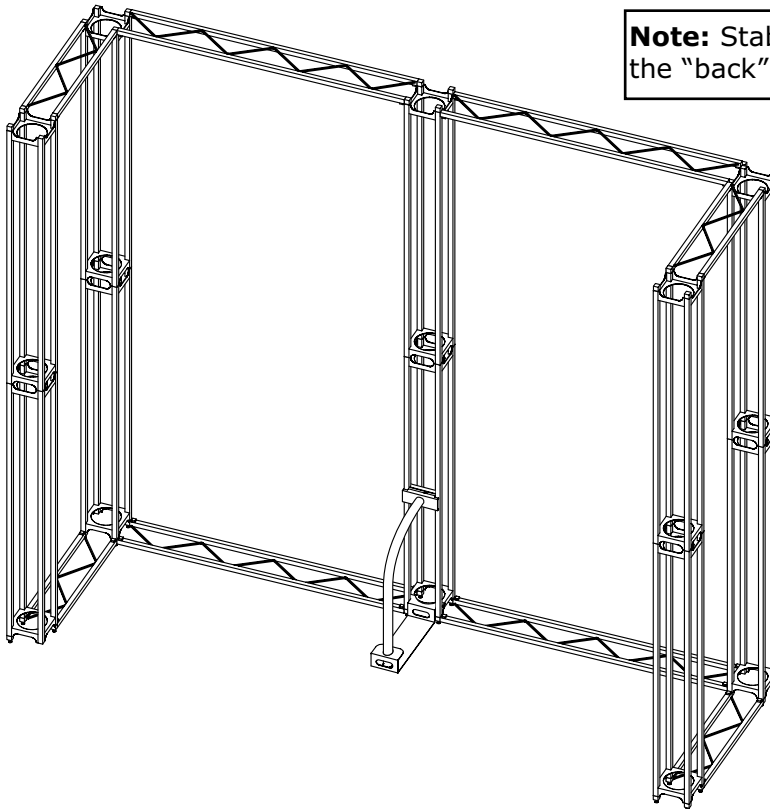
Assemble the stabilizer by fitting the tube with clamp into the stabilizer base. Fit the stabilizer base onto the base of the vertical box and fit the outer section of the clamp onto the vertical tube of the box.



Twist the inner section of the clamp 90° to fit onto the vertical tube of the box and tighten large hand screw.

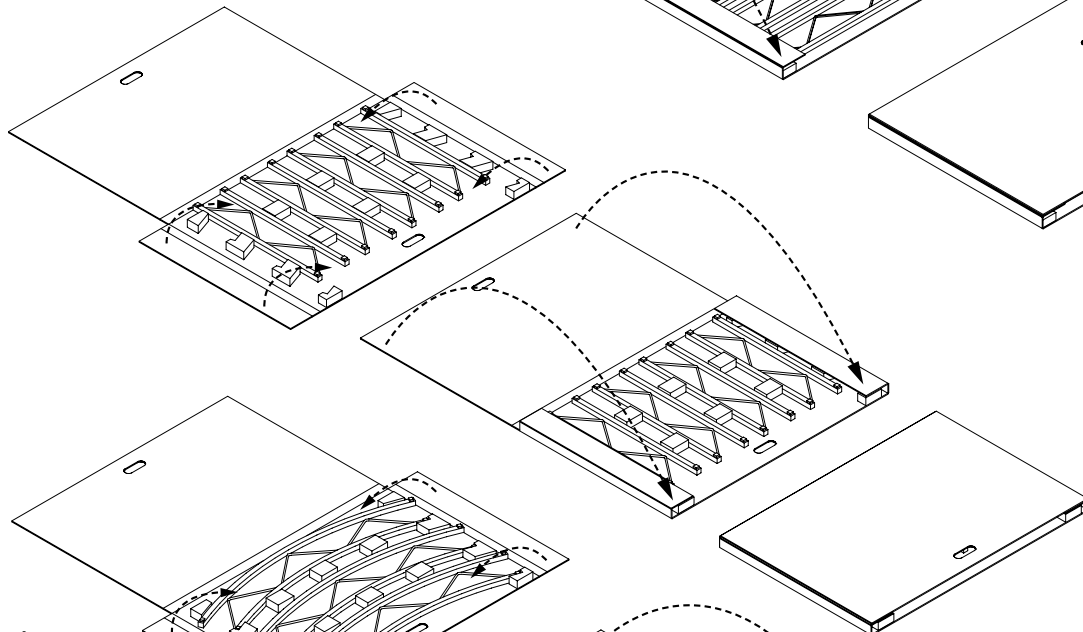
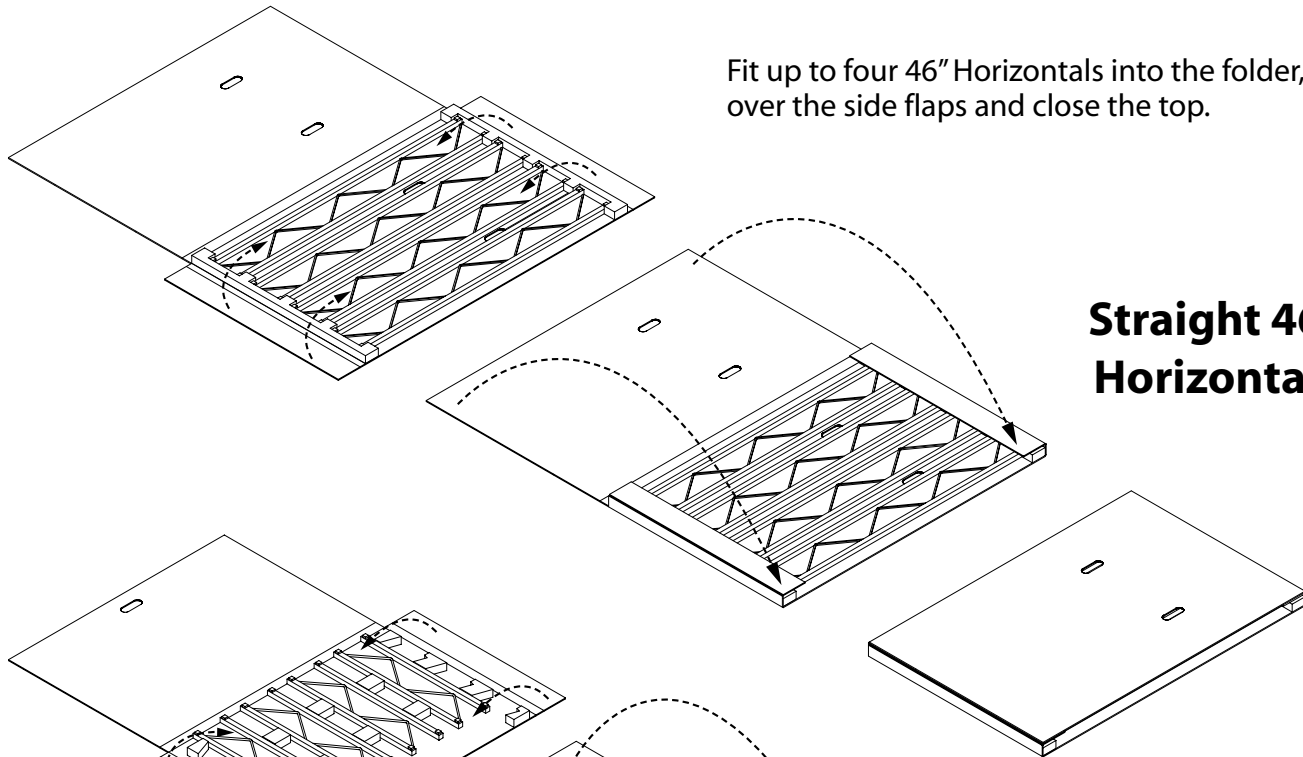


**Note:** Stabilizers can be used on the "back" of the unit if required.



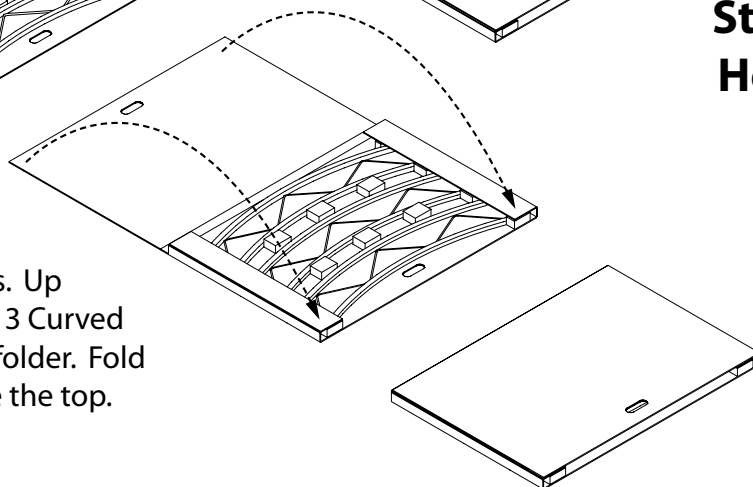
Fit up to four 46" Horizontals into the folder, fold over the side flaps and close the top.

## Straight 46" Horizontals



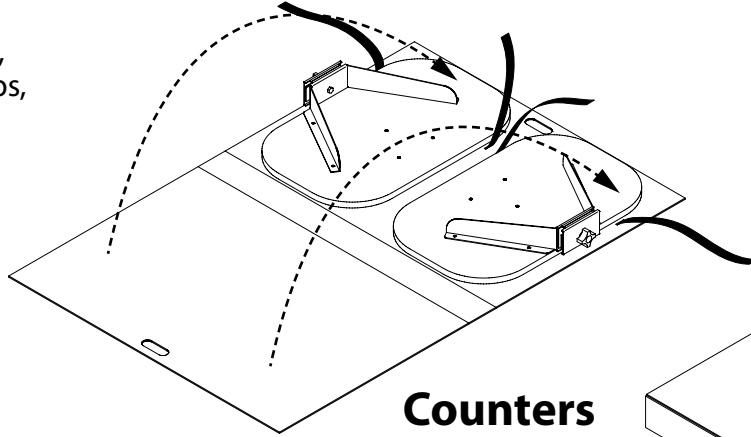
## Straight 23" Horizontals

The 23" Straight Horizontals and the Curved Horizontals use the same type of folder, but fit in opposite directions. Up to 4 23" Horizontals or up to 3 Curved Horizontals can fit into one folder. Fold over the side flaps and close the top.

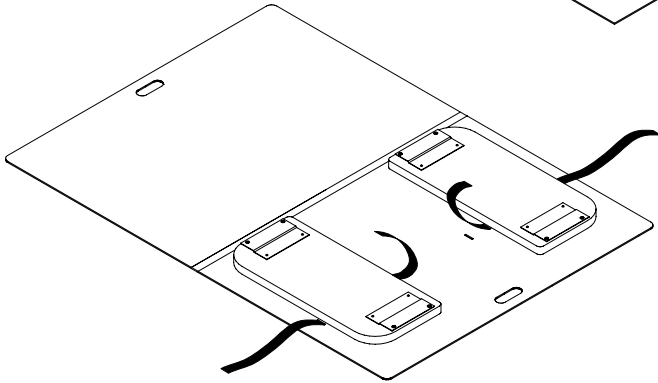
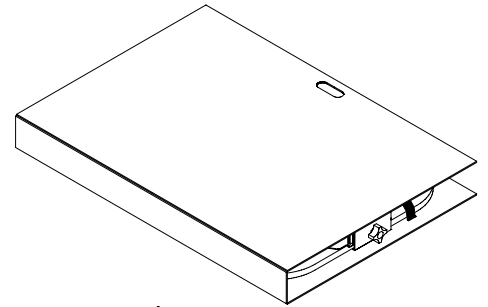


## Curved Horizontals

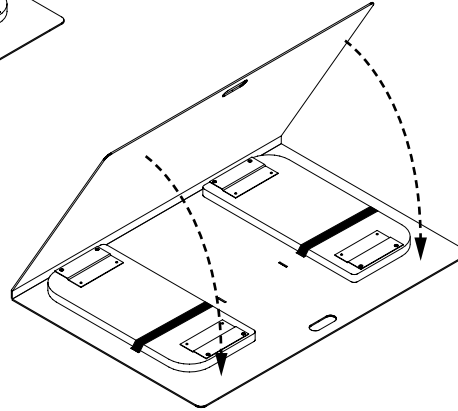
Fit two counters upside down into the open folder, fasten the restraining straps, and close the top.



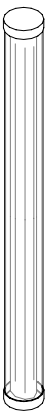
## Counters



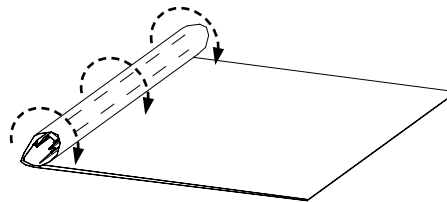
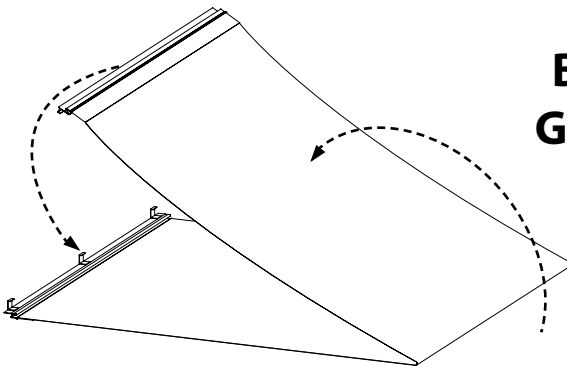
Fit two shelves upside down into the open folder, fasten the restraining straps, and close the top. Shelf brackets will pack in a separate box. Shelf standards will pack into a tube.



## Frame Shelves



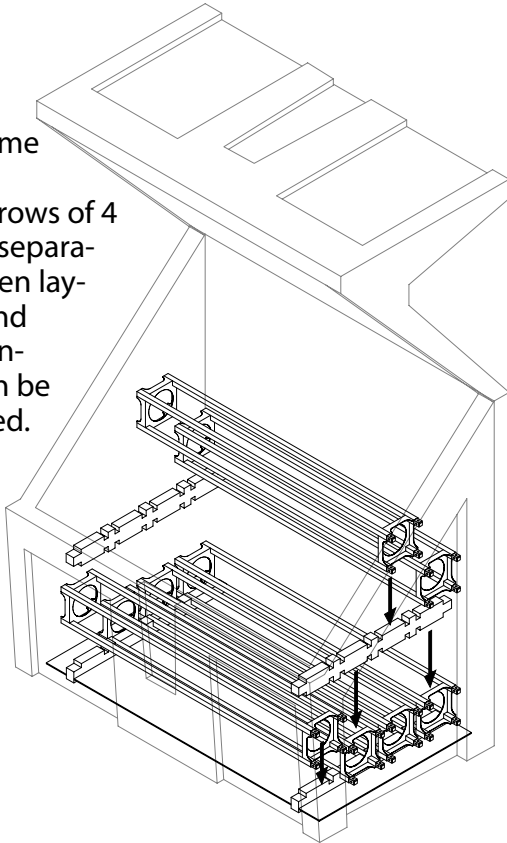
## Banner Graphics



Remove the Banner Graphics from the unit and lay out on a clean, open space. Fold the Banner in half and roll the hanging brackets inside the fabric. Place the rolled banner into a tube.

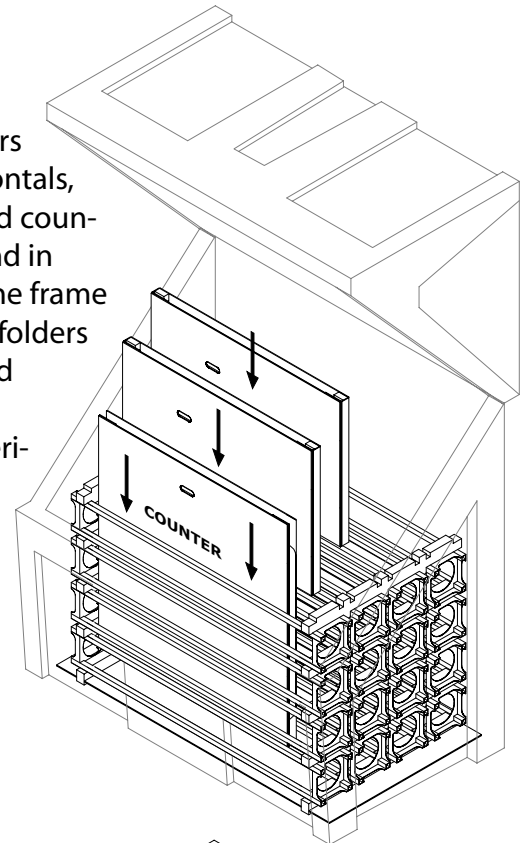
1

Vertical frame boxes are stacked in rows of 4 with foam separators between layers. Feet and straight connectors can be left attached.



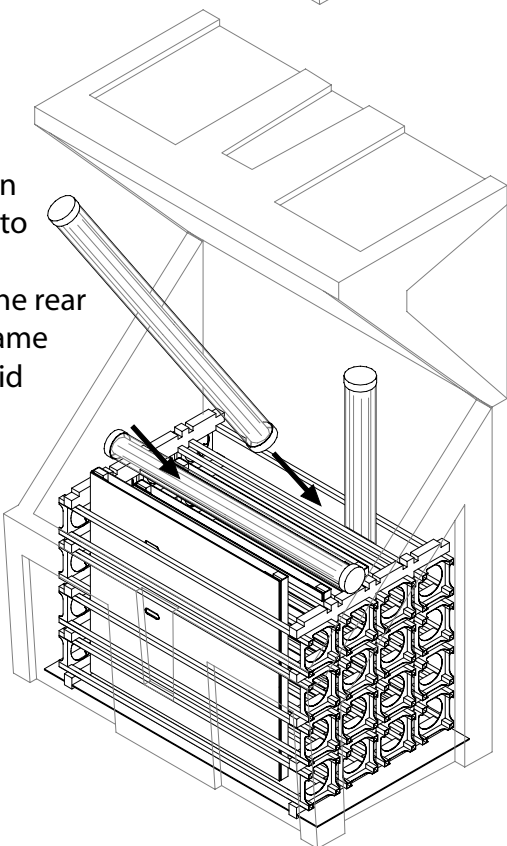
2

Slide Folders with horizontals, shelves, and counters into and in between the frame boxes. 46" folders can be used to prevent other materials from sliding.



3

Tubes with Banners can be fitted into the open spaces in the rear stack of frame boxes or laid on top.



4

Stack the accessory boxes (with lights etc.) on top of the stack of frame components.

