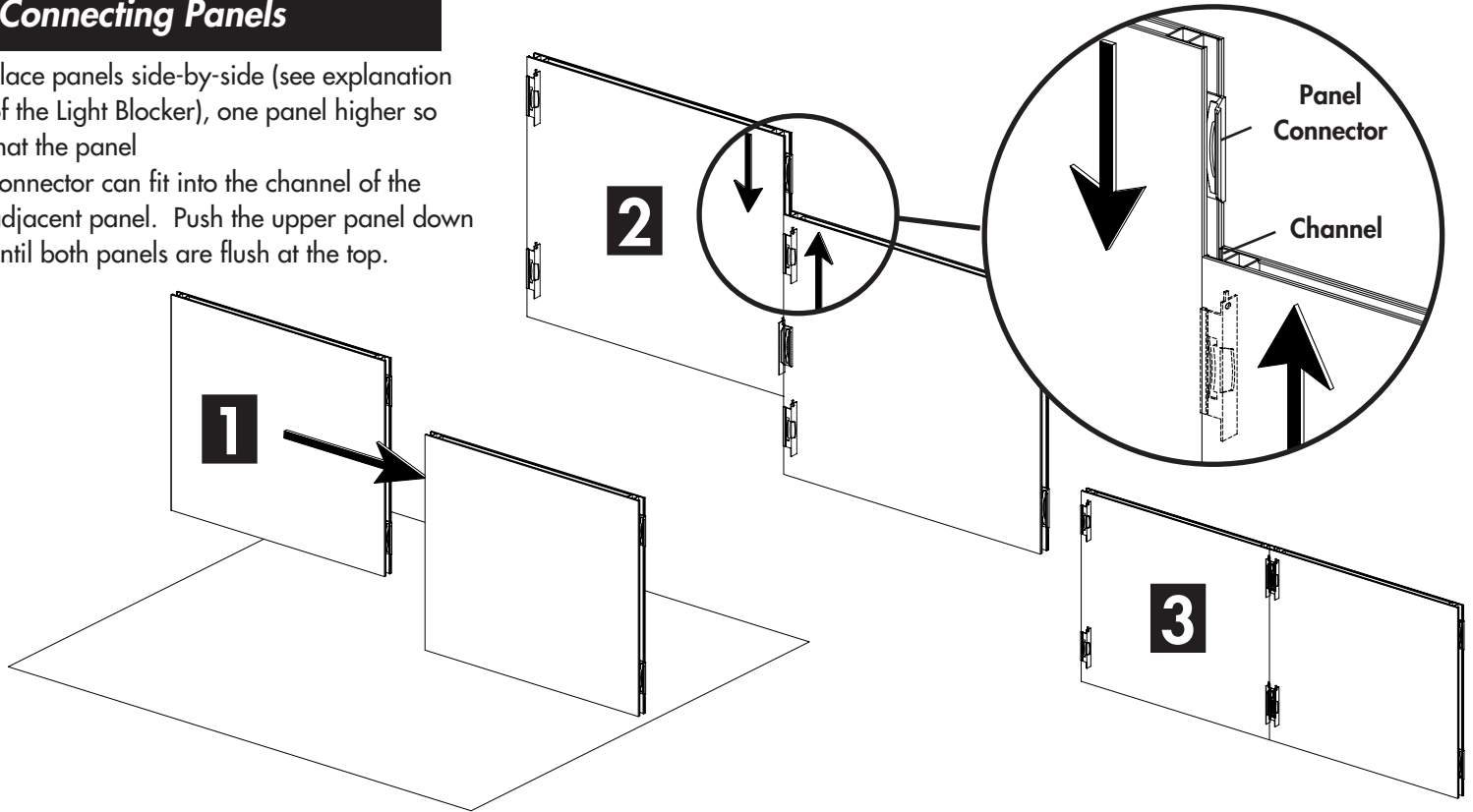
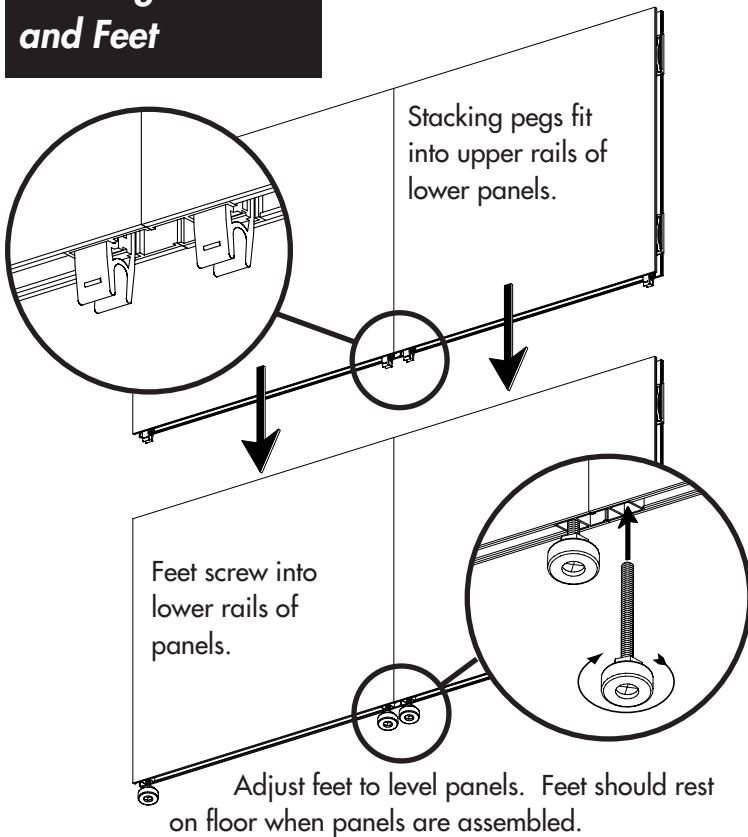


Connecting Panels

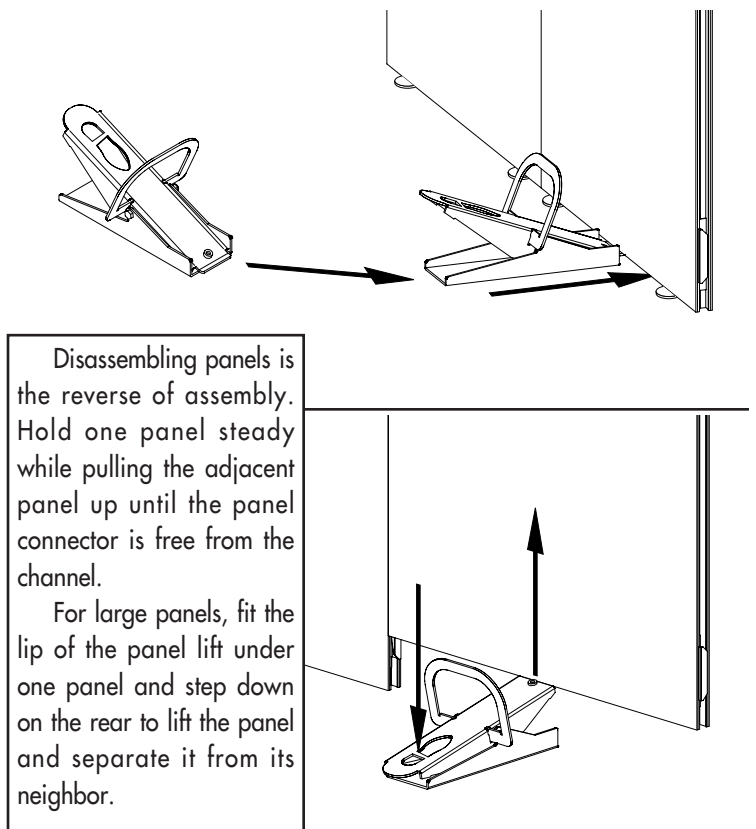
Place panels side-by-side (see explanation of the Light Blocker), one panel higher so that the panel connector can fit into the channel of the adjacent panel. Push the upper panel down until both panels are flush at the top.



Stacking Panels and Feet



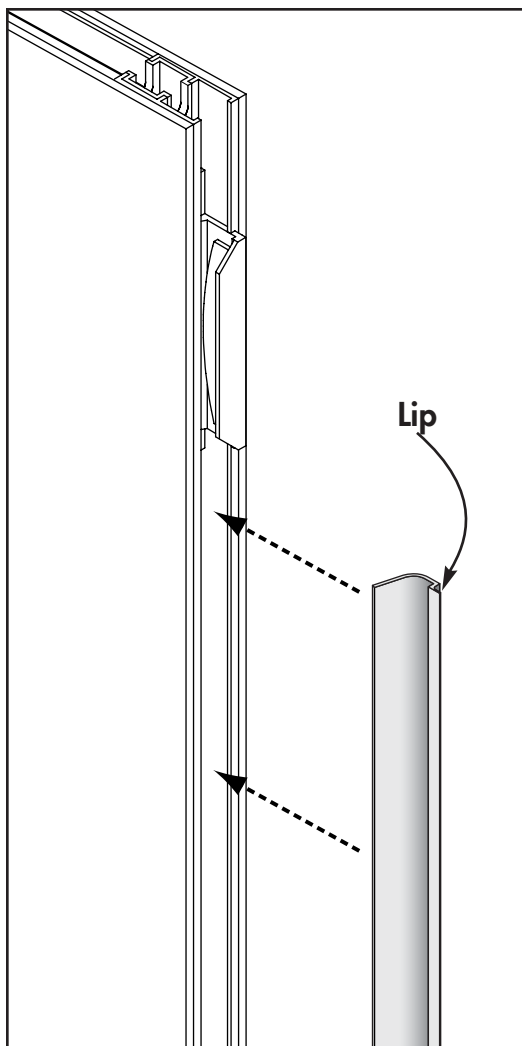
Disassembly



Disassembling panels is the reverse of assembly. Hold one panel steady while pulling the adjacent panel up until the panel connector is free from the channel.

For large panels, fit the lip of the panel lift under one panel and step down on the rear to lift the panel and separate it from its neighbor.

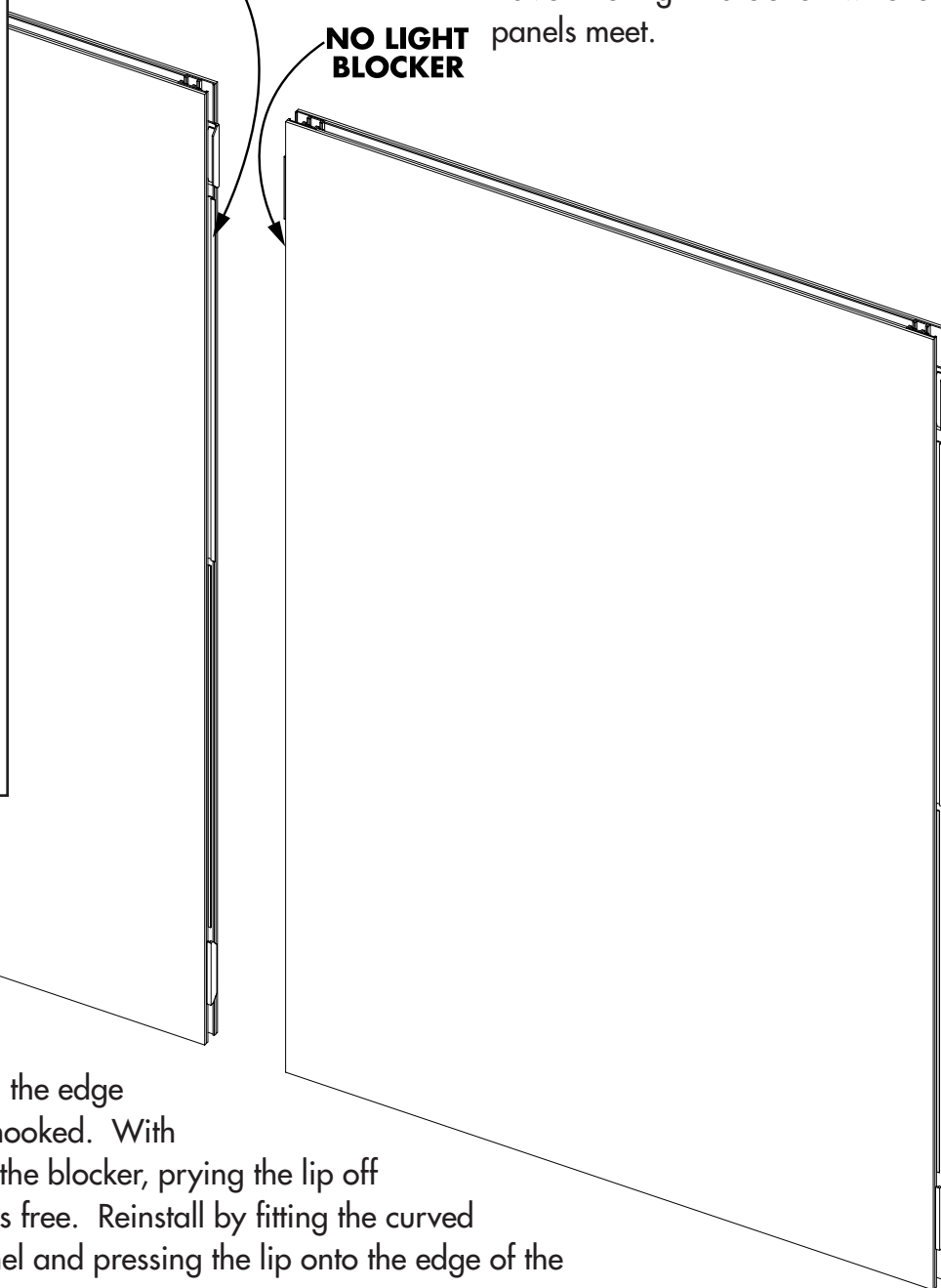
Light Blocker



The Light Blocker is a small, removable plastic strip which is installed in only one of the vertical channels of a panel frame. Its purpose is to prevent light leakage between panels. It is important to note that when assembling panels, only 1 panel will have the light blocker where two panels meet.

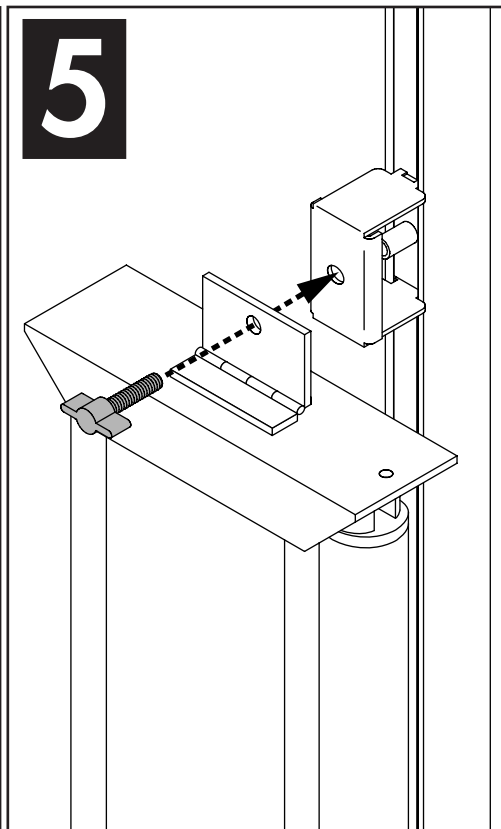
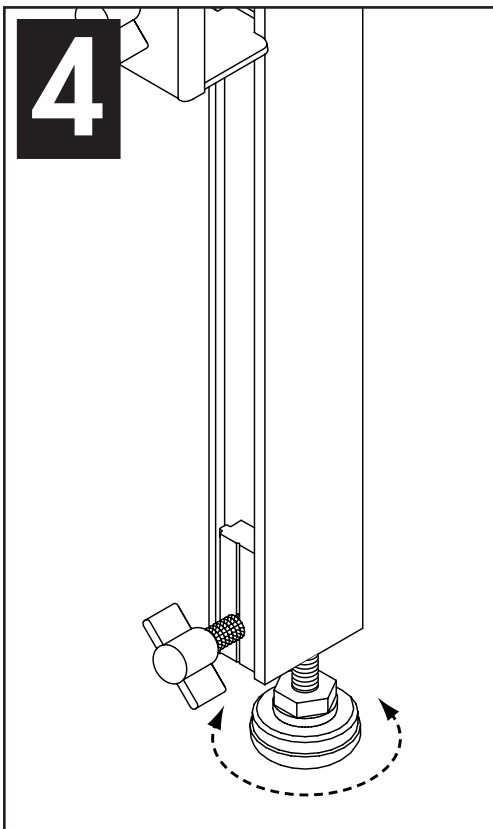
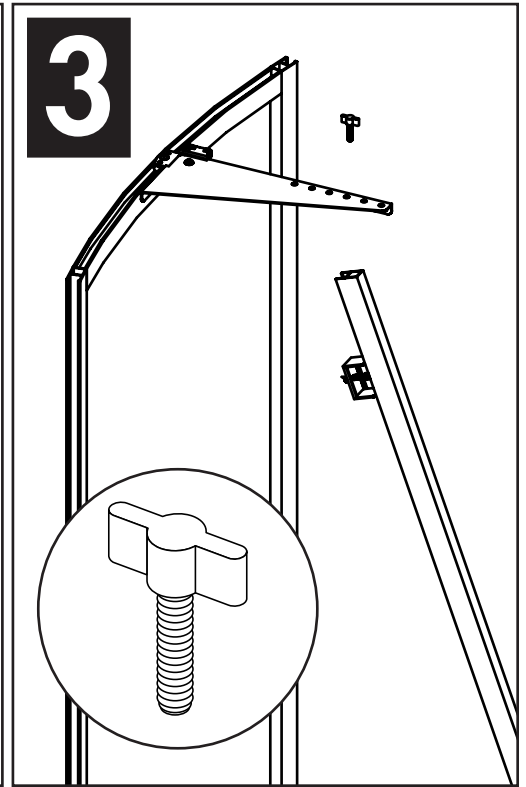
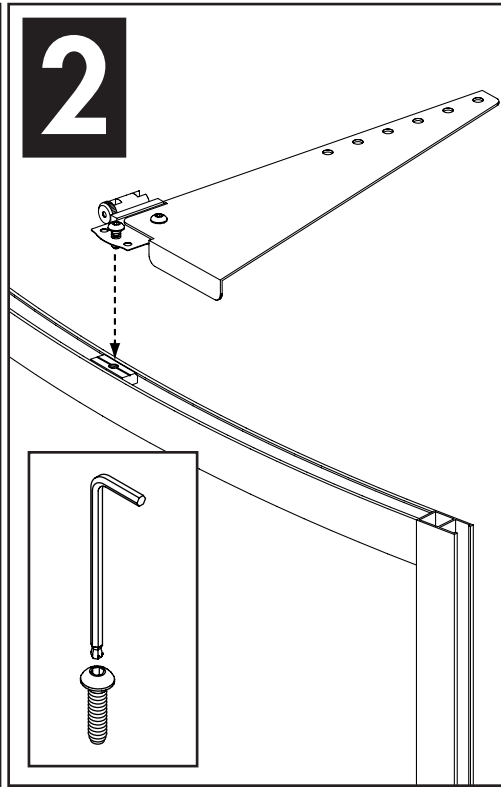
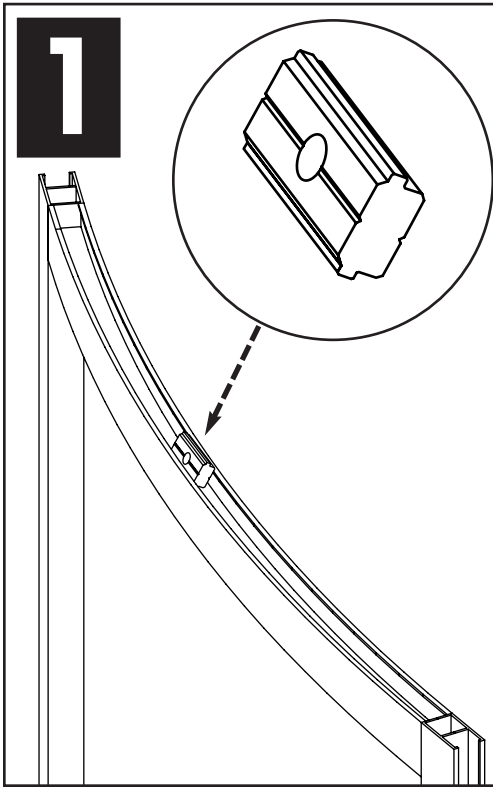
LIGHT BLOCKER

NO LIGHT BLOCKER



The Light Blocker may be removed, if needed, by prying the lip near the end of the blocker away from the edge of the frame channel where it is hooked. With fingers, work down the length of the blocker, prying the lip off the edge until the whole blocker is free. Reinstall by fitting the curved part of the blocker into the channel and pressing the lip onto the edge of the frame channel.

Light Pole



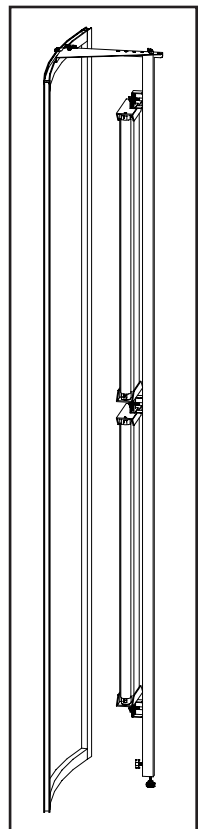
1. Drop connector block into top channel of frame.

2. Attach bracket to connector block with button head screw.

3. Fit pole under bracket. Attach to bracket with thumbscrew.

4. Adjust foot so that bracket is level.

5. Attach lights to mounting brackets on pole.



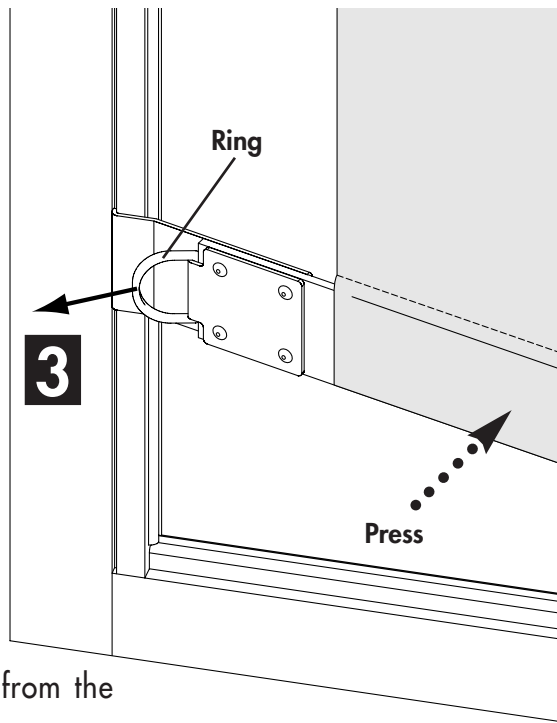
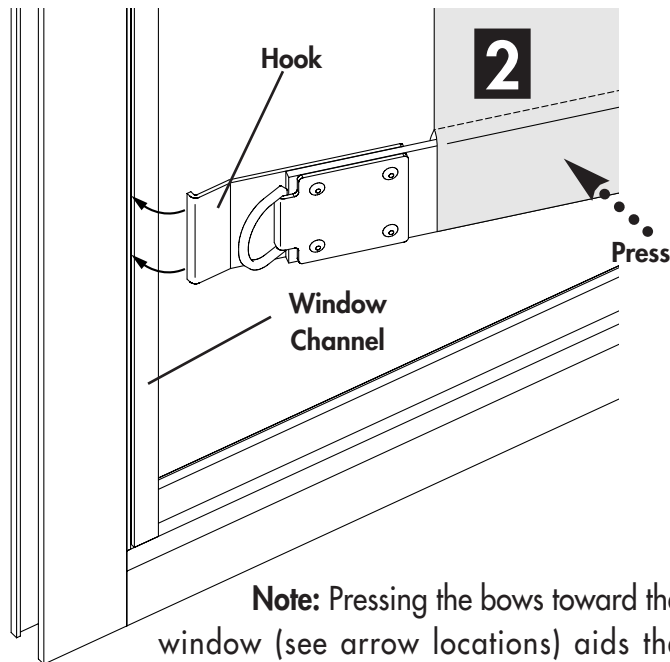
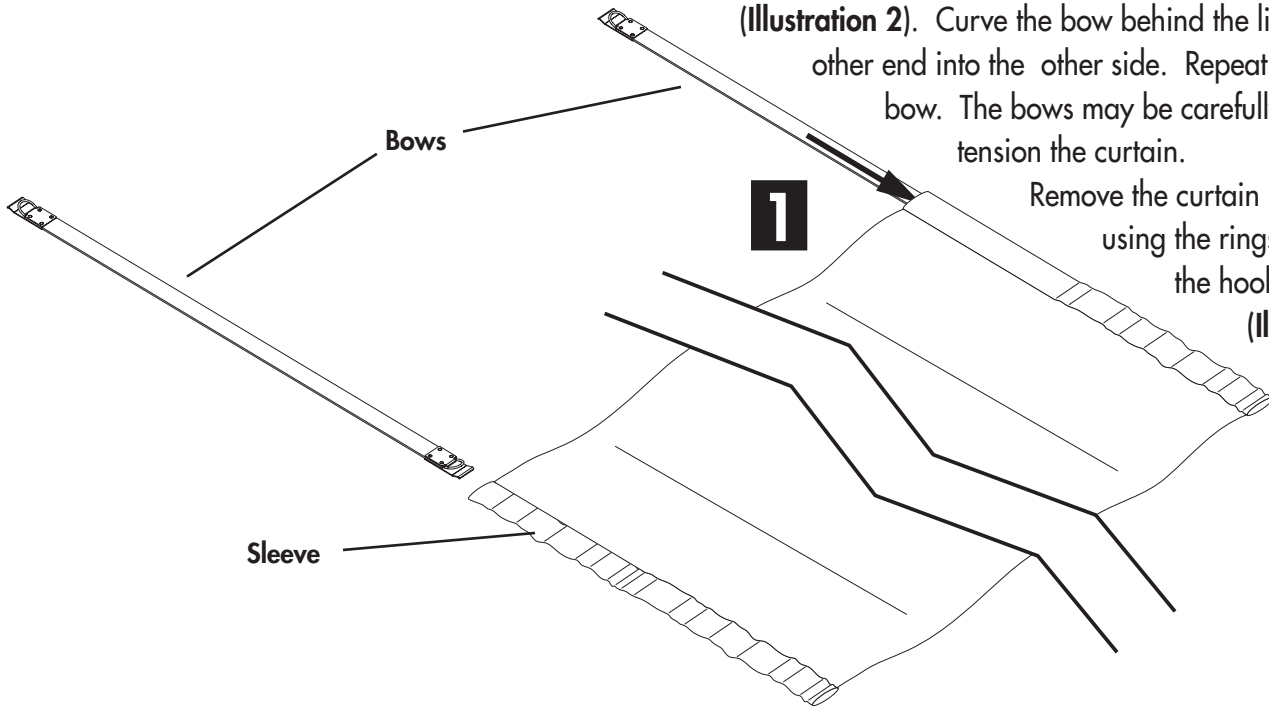
Light Curtain

The Light Curtain is a reflector which fits around the light pole to concentrate the light towards the graphic panel.

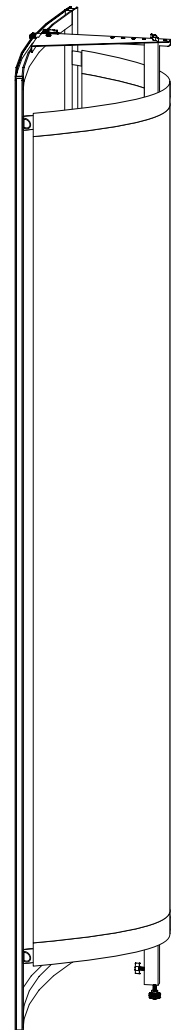
To install the curtain, lay the fabric flat and slide the flexible bows with the rings up into the top and bottom sleeves of the fabric (**Illustration 1**). Lift the assembly and first install the top bow. Fit one hooked end of the bow into the window channel of the frame

(**Illustration 2**). Curve the bow behind the light pole and fit the other end into the other side. Repeat with the bottom bow. The bows may be carefully slid up or down to tension the curtain.

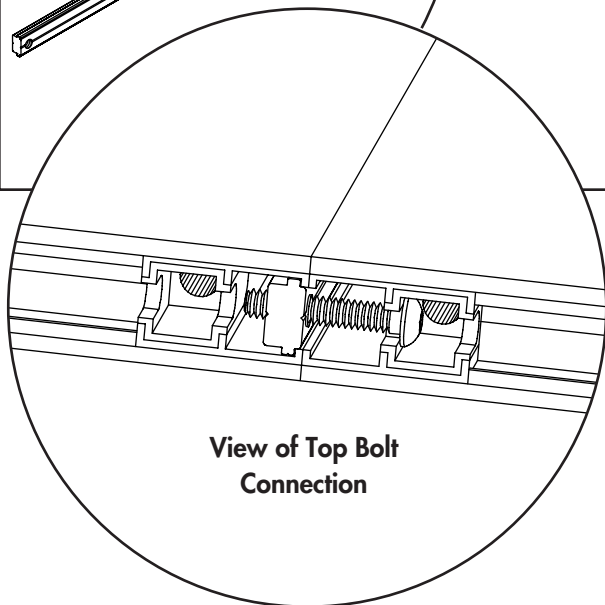
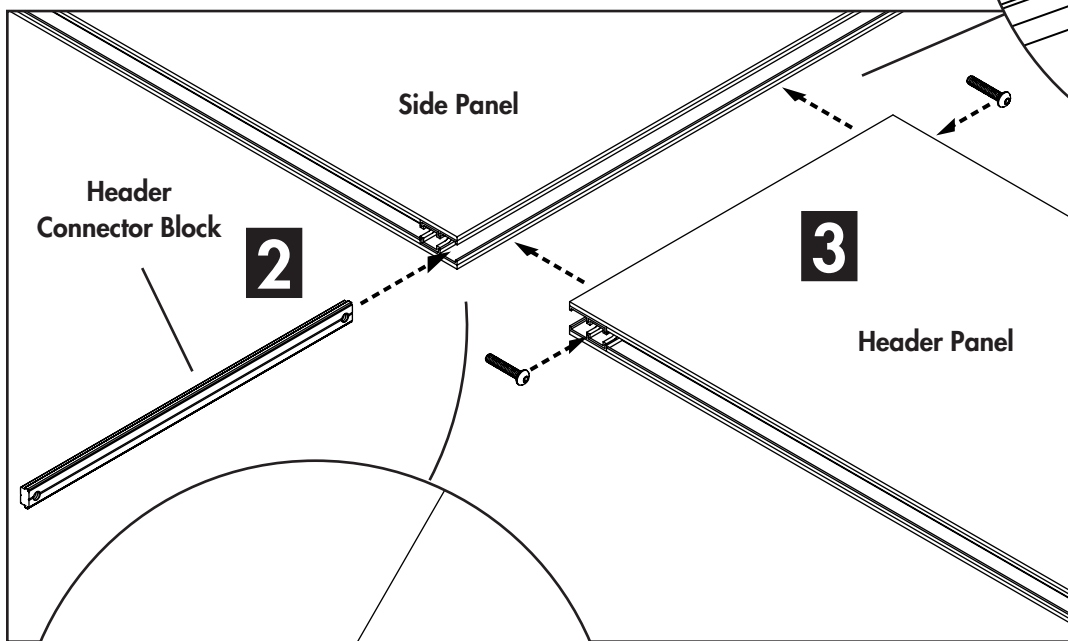
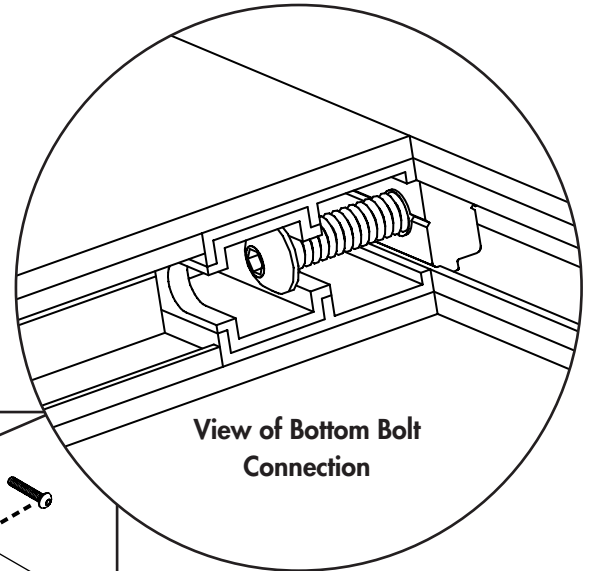
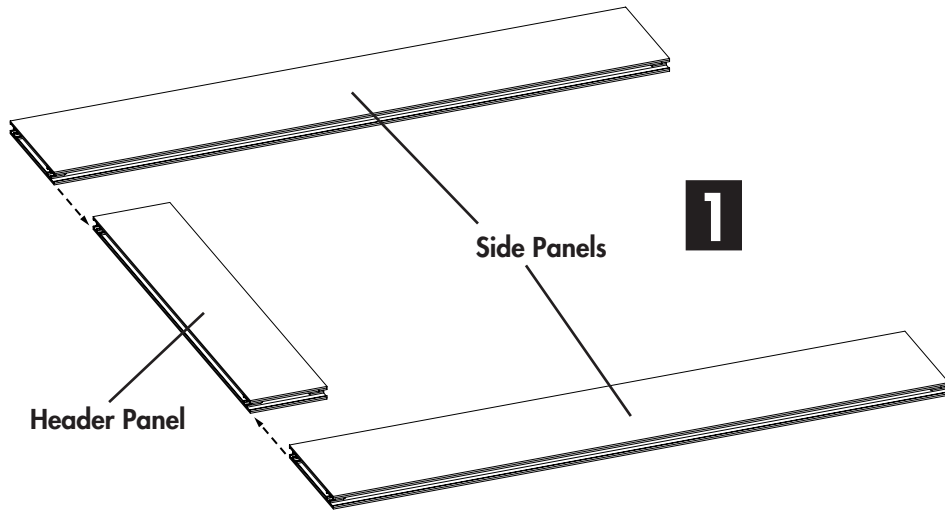
Remove the curtain in reverse order, using the rings of the bows to pull the hooked ends free (**Illustration 3**).



Note: Pressing the bows toward the window (see arrow locations) aids the hooks in the installation into and removal from the grooves of the window channel.



Conference Room Door

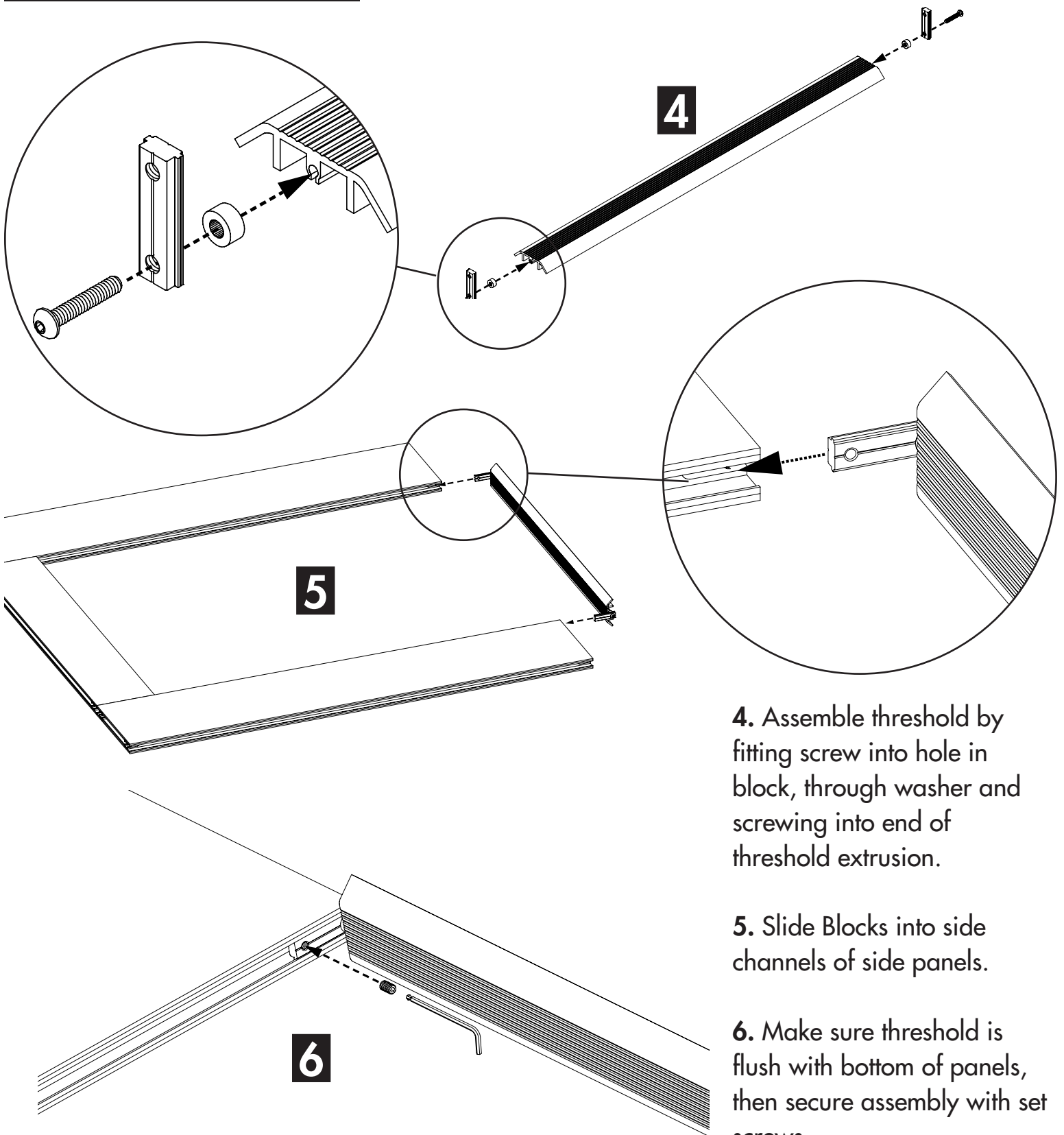


1. Lay header and side panels on floor.

2. Slide Header Connector Blocks into side channels of side panels until they are flush with the top of the panel.

3. Fit Connecting bolts into the top and bottom frame corners of the header panel as shown. Place the header panel flush with the side and top of the side panels, fit the bolts into the connector blocks and tighten.

Conference Room Door

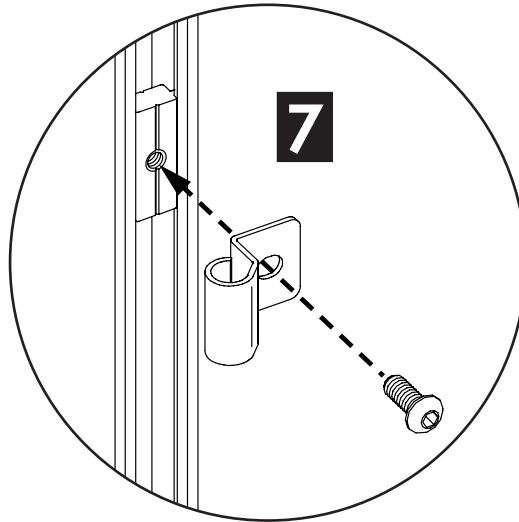
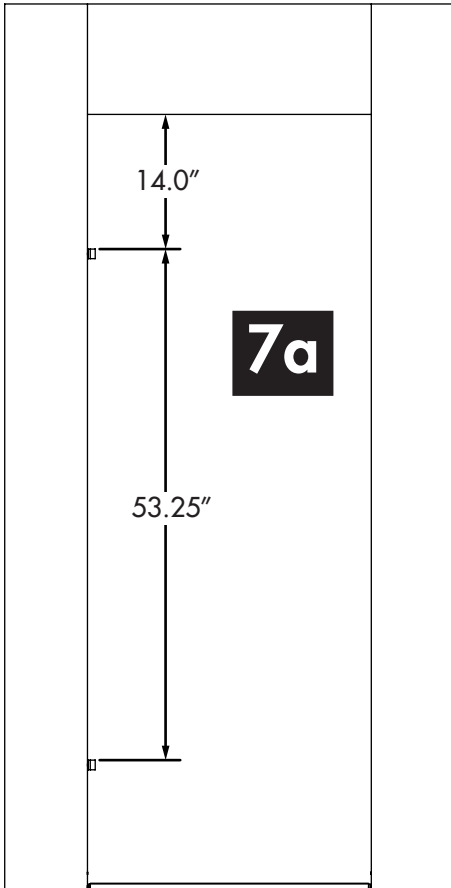


4. Assemble threshold by fitting screw into hole in block, through washer and screwing into end of threshold extrusion.

5. Slide Blocks into side channels of side panels.

6. Make sure threshold is flush with bottom of panels, then secure assembly with set screws.

Conference Room Door



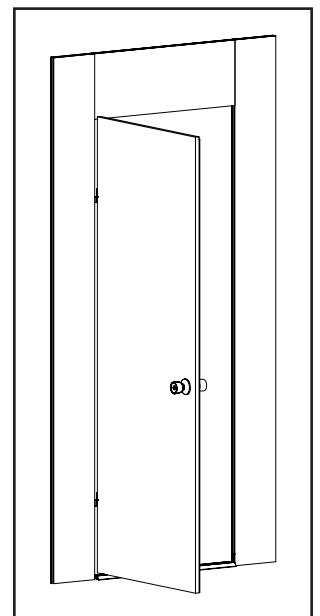
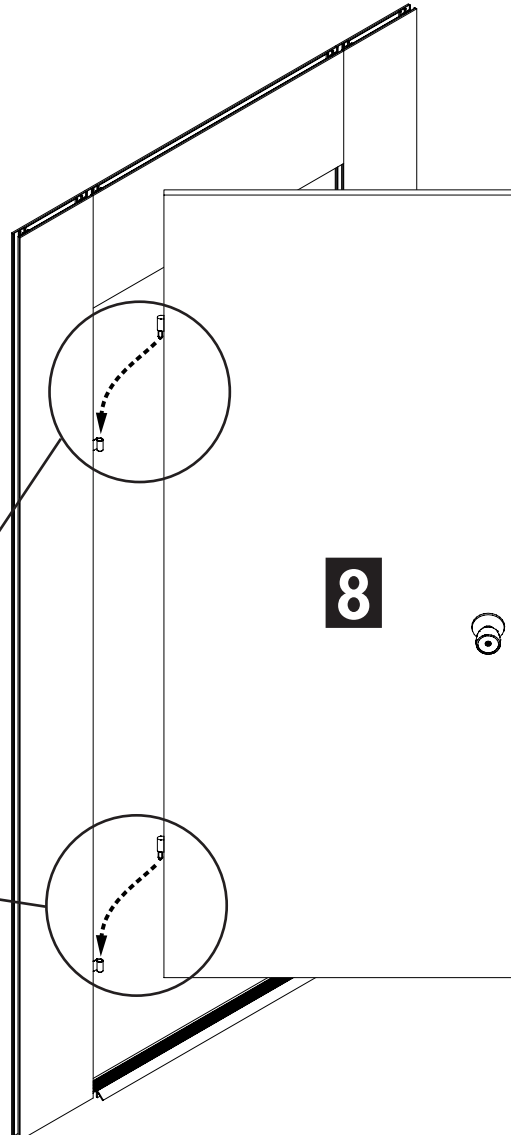
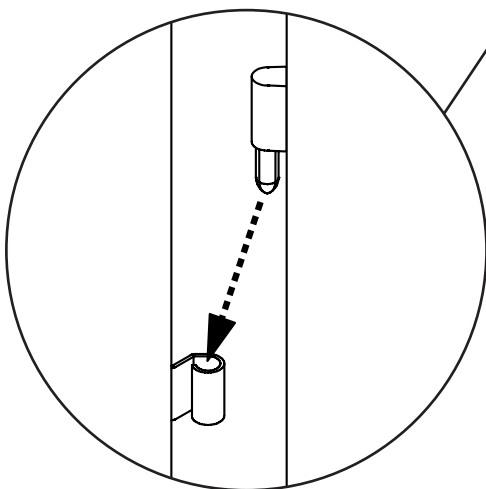
Stand the Door Assembly upright and attach it to the side walls of booth.

7. Slide Blocks into side channels of side panel. Attach door hinges to block with screw. Position hinges as shown (**7a**) and tighten screws to secure hinges.

8. Fit Door Hinge posts into Frame Hinge.

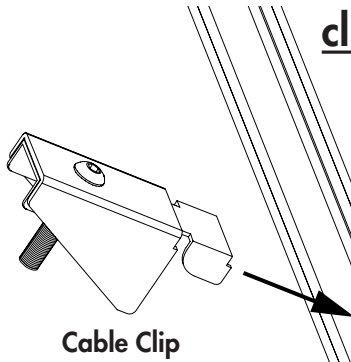
Note: To remove door, reverse procedure.

8. Fit Door Hinge posts into Frame Hinge.



NOTE: Install and adjust cable clips and add cables to clips before setting panel upright!

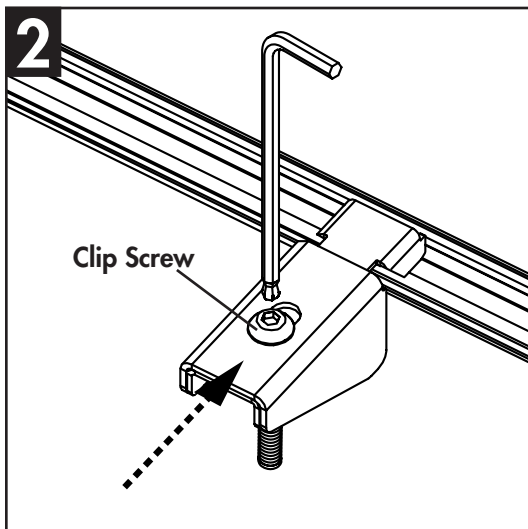
1



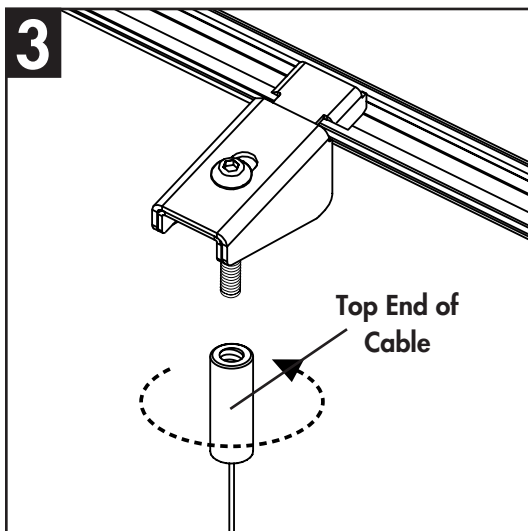
1. Cable clips hook into top and bottom channels of panel frame.

2. Adjust the cable clips to fit flush to the panel by loosening the clip screw, moving the clip end in or out as needed, then tightening the screw.

2

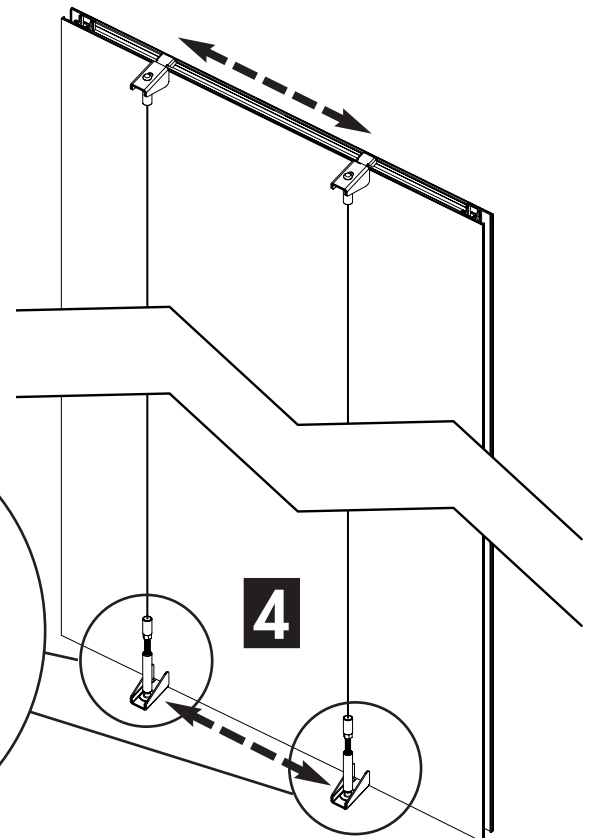
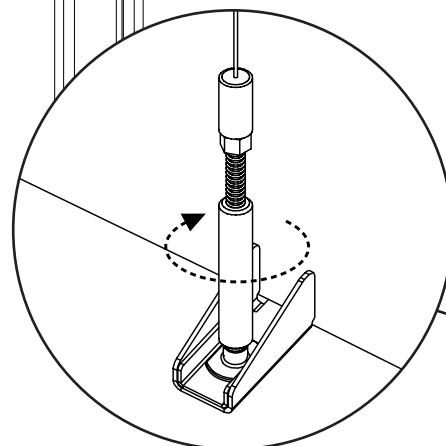


3

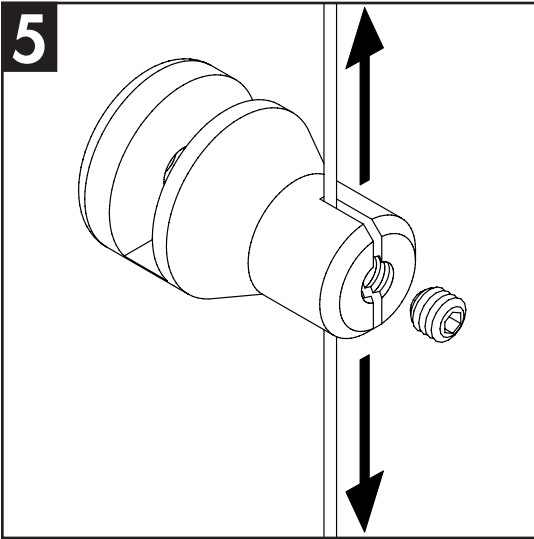


3. Add the cables to the clips. First, screw the top end of the cable into the clip completely. Finish with the bottom end. The bottom end has the adjustment screw which will allow you to add slack to the cable as needed. Set panel upright and attach it to booth.

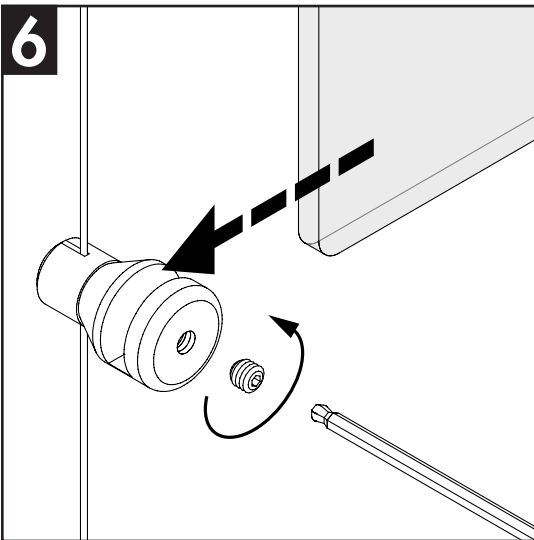
4. Adjust the clips and cables along the channels horizontally to the proper position for the graphic panel, then tighten the cable by turning the bottom cable end fitting counterclockwise.



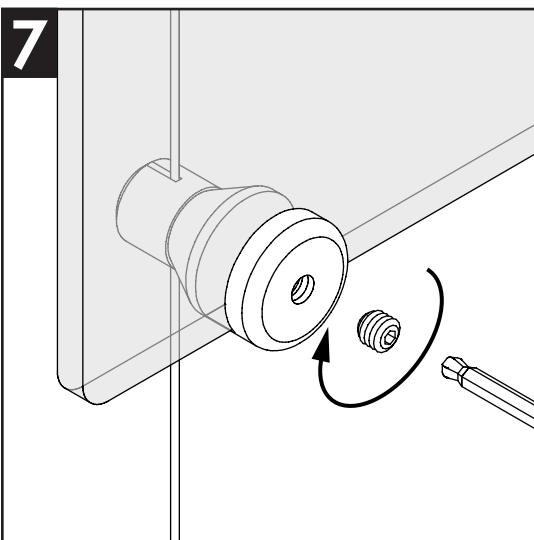
Cable Graphics



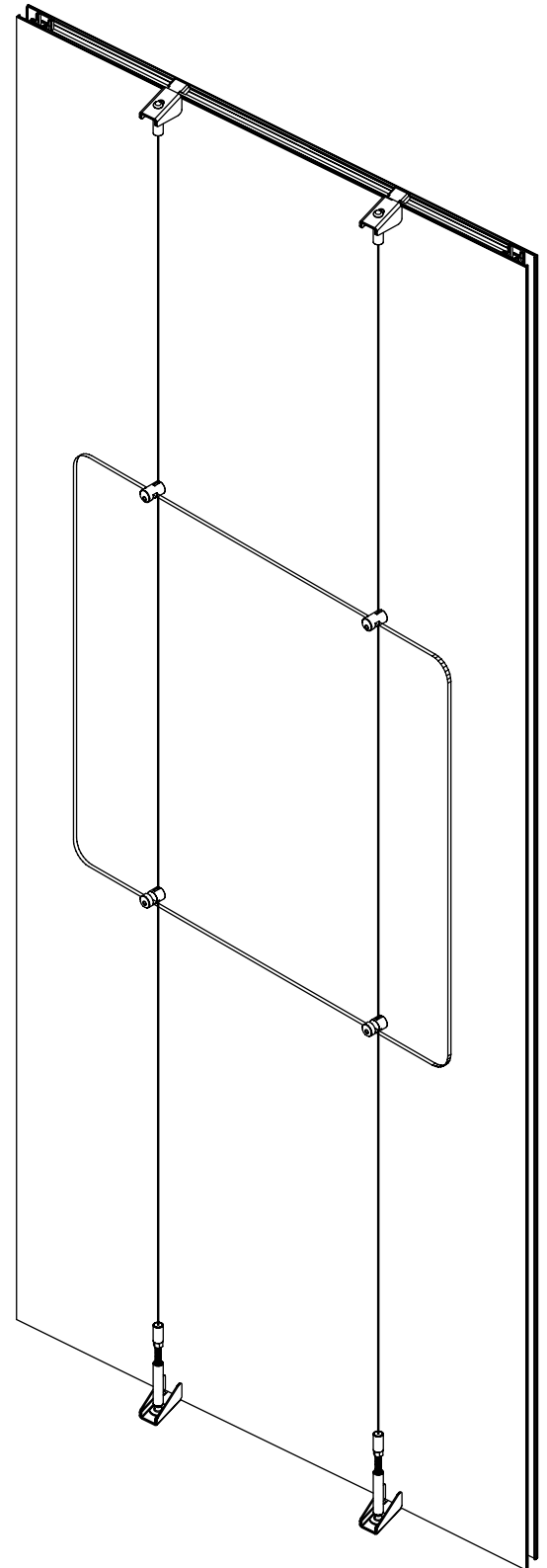
5. Position panel clamps by loosening cable set screws and sliding clamps to proper location for the graphic panel.



6. Loosen panel set screws. Slide panel into slots of clamps and center between the cables.



7. Secure panel with set screws.



Light Clip

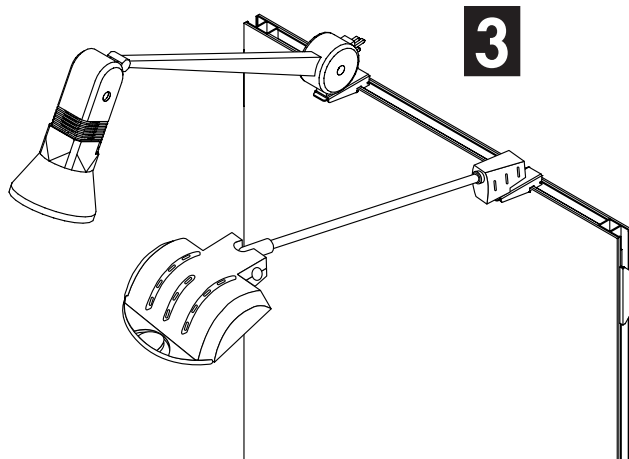
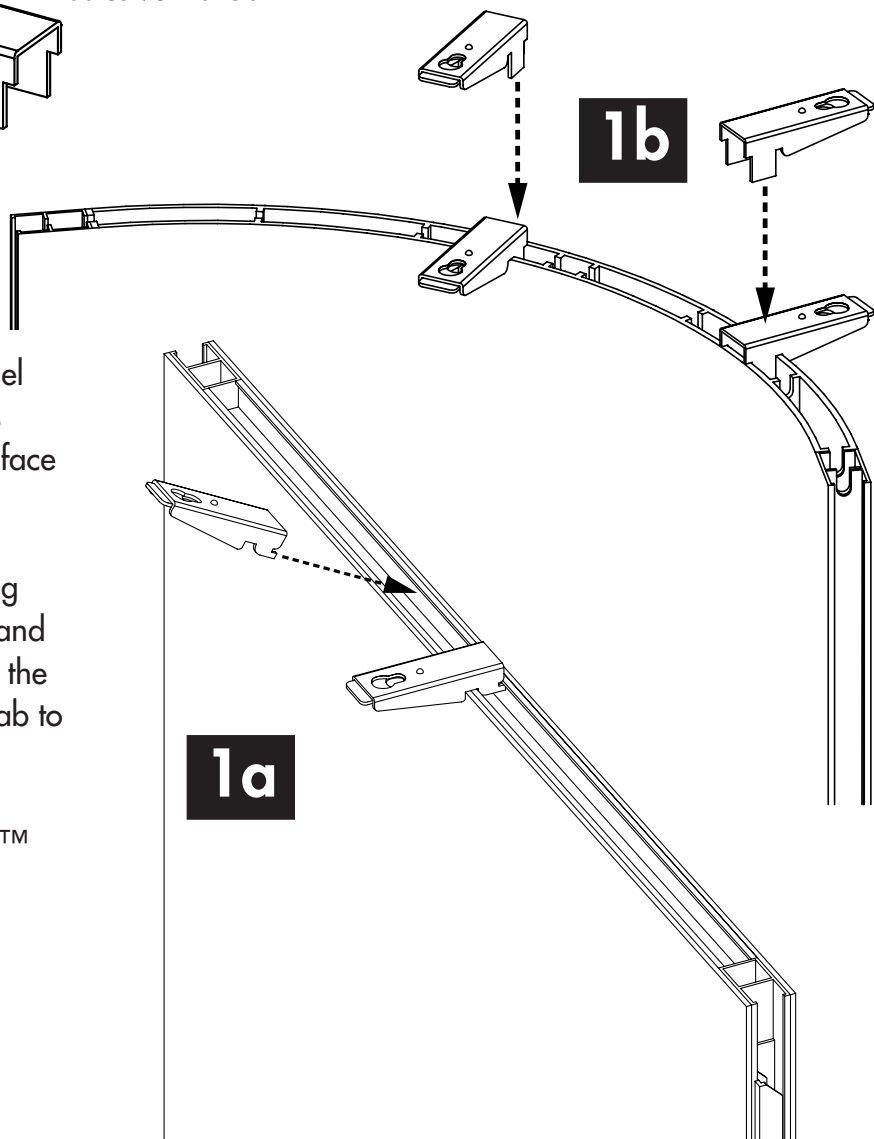
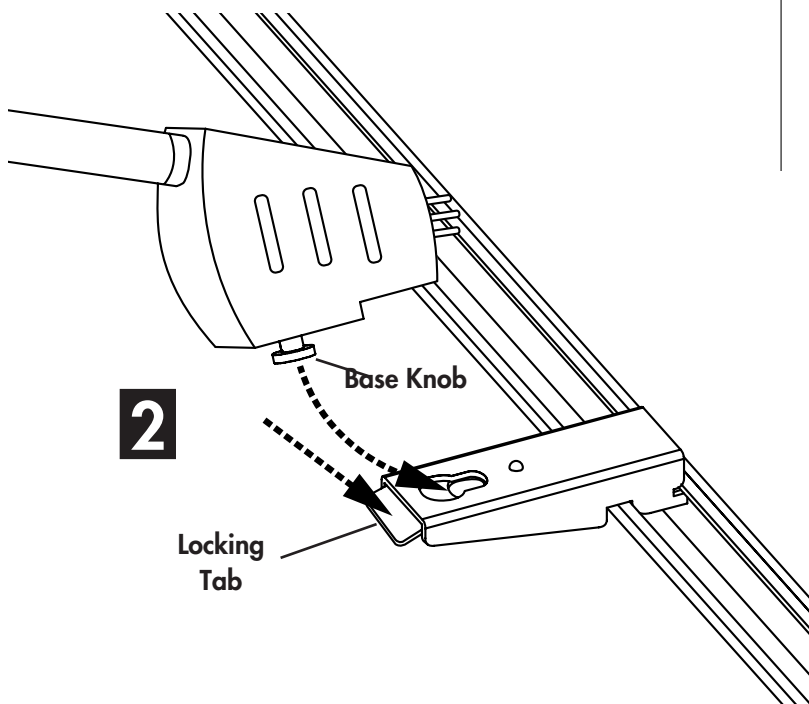
Light Clip for 11.5" Radius 90° Panels

Light Clip for all panels except 11.5" Radius 90°

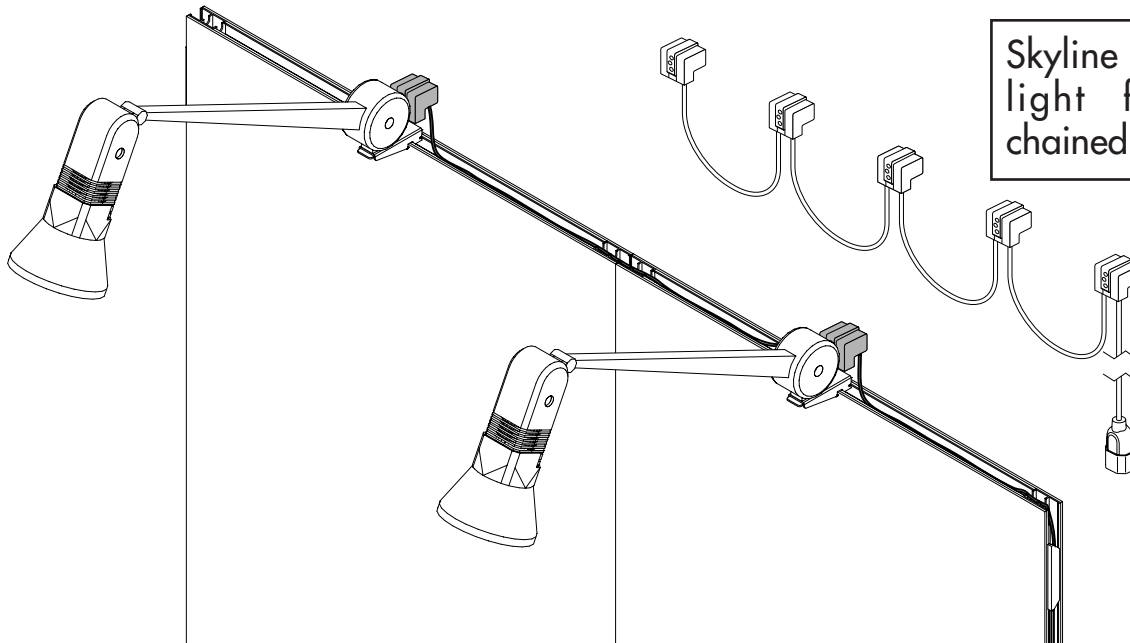
1a. Light clips hook into top channels of panel frame. **1b.** Clip for 11.5" radius 90° panels simply presses into the top channel and can face in either direction.

2. Attach a light fixture to the clip by pressing down on the front lip of the clip locking tab and fitting the fixture's base knob into the hole of the clip. Slide the fixture back and release the tab to lock the fixture in place.

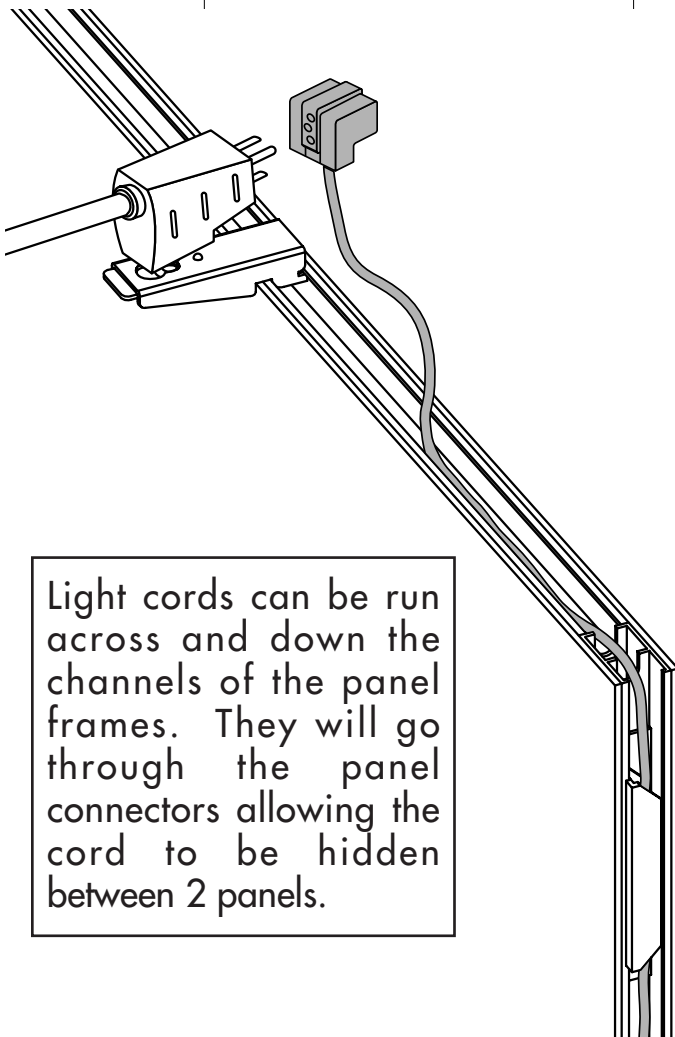
3. Light clips can be used for either SkyTrak™ or Halogen light fixtures.



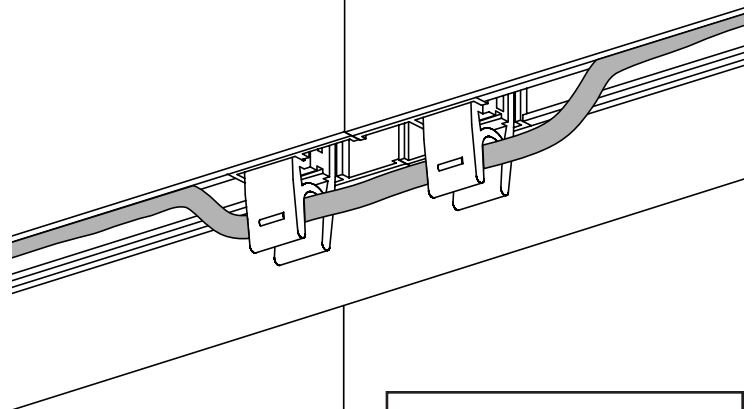
Wire Management



Skyline light cords allow light fixtures to be chained together.



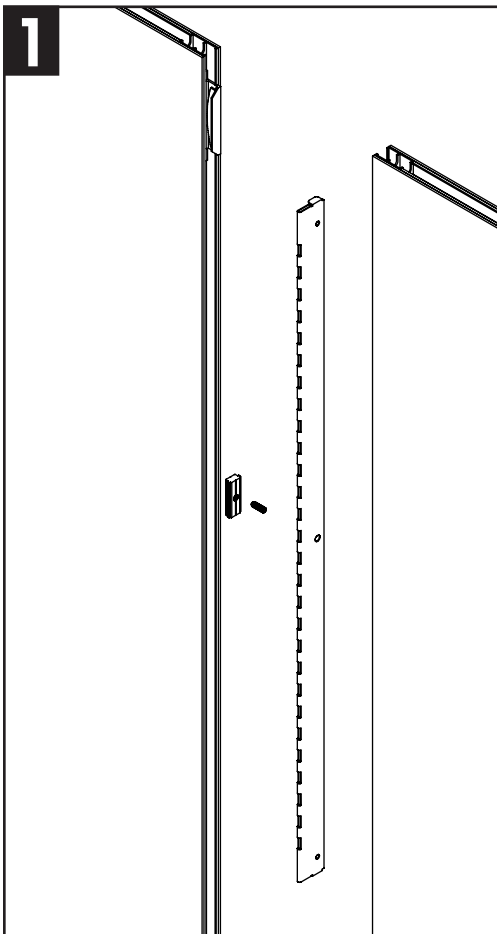
Light cords can be run across and down the channels of the panel frames. They will go through the panel connectors allowing the cord to be hidden between 2 panels.



When stacking panels, a cord can be run across the channel of the upper panel and through the stacking pegs.

ps3000 Wire Management is designed for **Skyline** light and extension cords. Custom features must be considered for other power cords and data cables.

Shelves

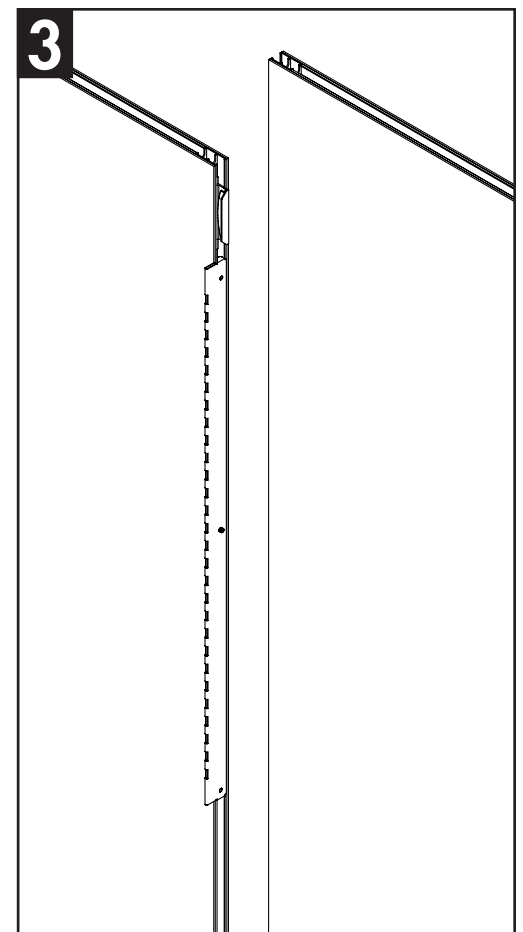
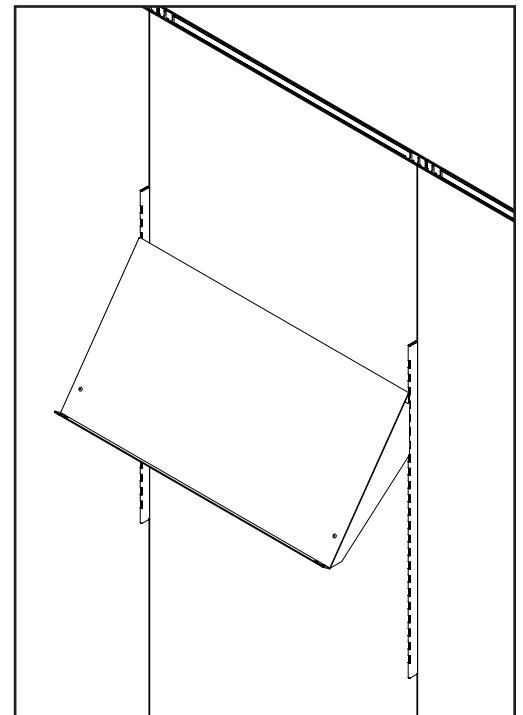
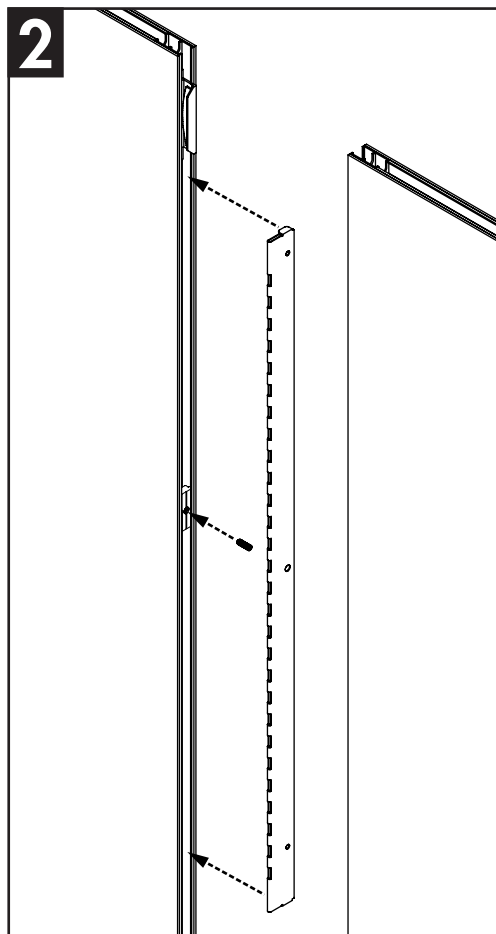
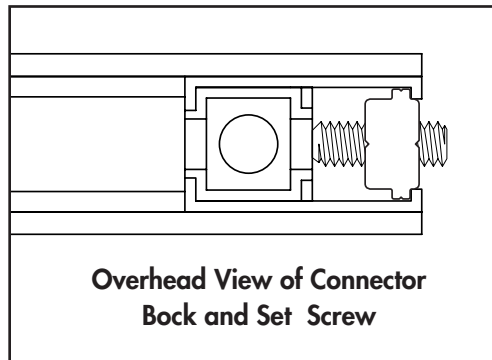


1. Slip connector block into channel of panel frame.

2. Screw set screw loosely into connector block. Fit center hole of shelving strip onto set screw and tabs of strip into panel channels. Adjust the strip to the required position and tighten the set screw, locking the connector block in place.

3. Attach the next panel and repeat for second shelving strip.

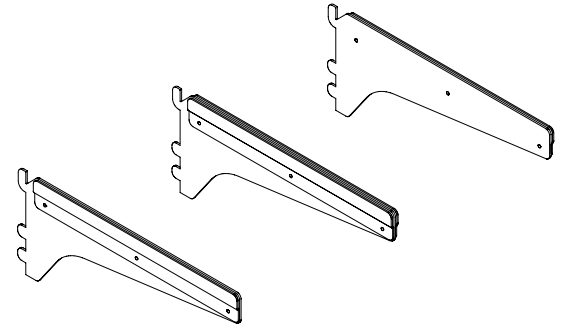
Note: When breaking down display, do not remove the connector block and set screw. This will keep the proper position for the shelving strip during the next setup.



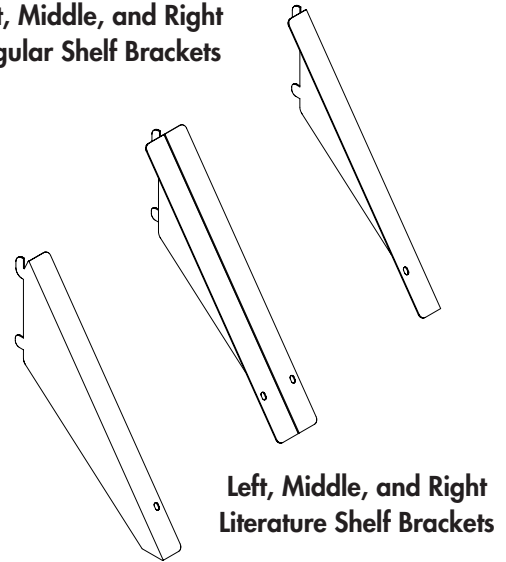
Shelves

4. Shelf brackets mount to the shelving strip by fitting the top hook into a slot of the strip and rotating the bracket down until the lower tab(s) fit into a lower slot.

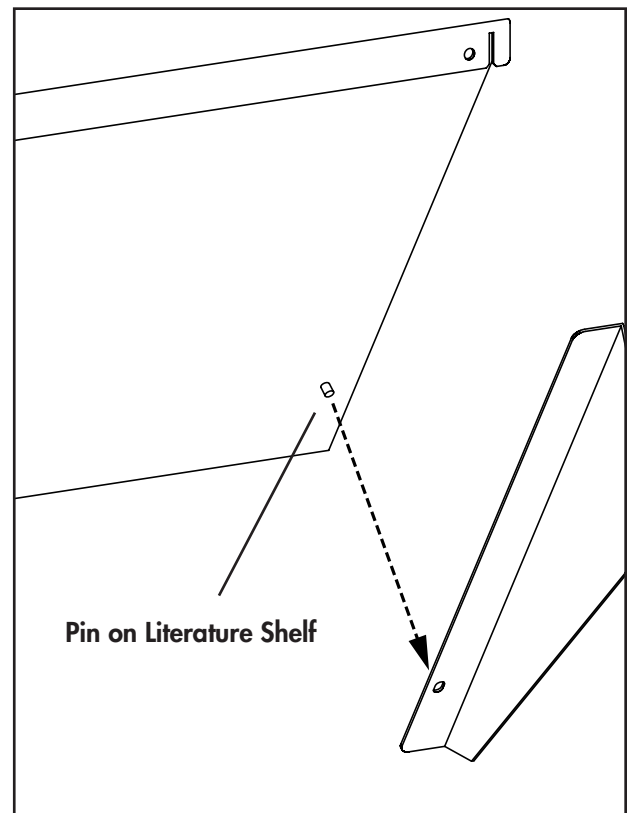
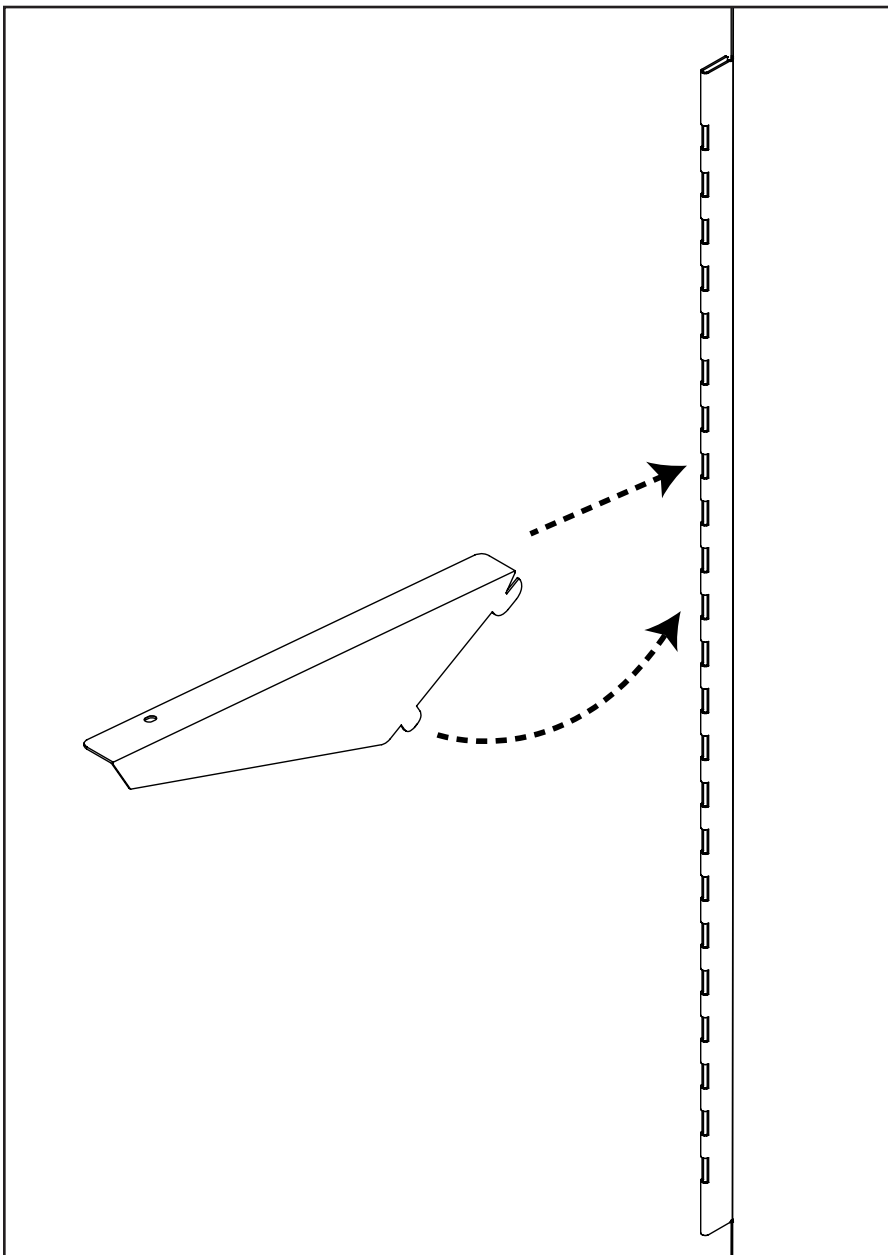
5. Shelves fit onto the brackets. Flat shelves have side flanges which fit into grooves on the brackets. Literature shelves have a pin which fit into a hole in the bracket.



Left, Middle, and Right Regular Shelf Brackets

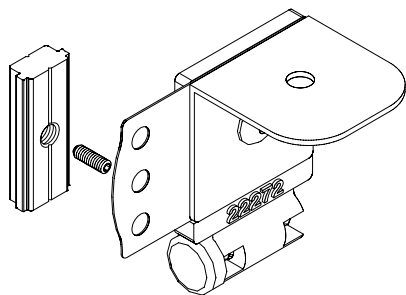


Left, Middle, and Right Literature Shelf Brackets



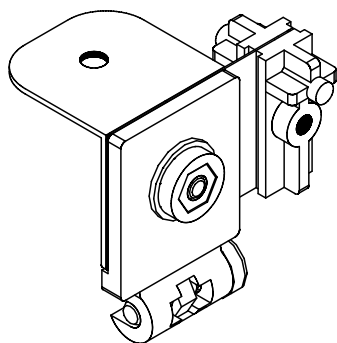
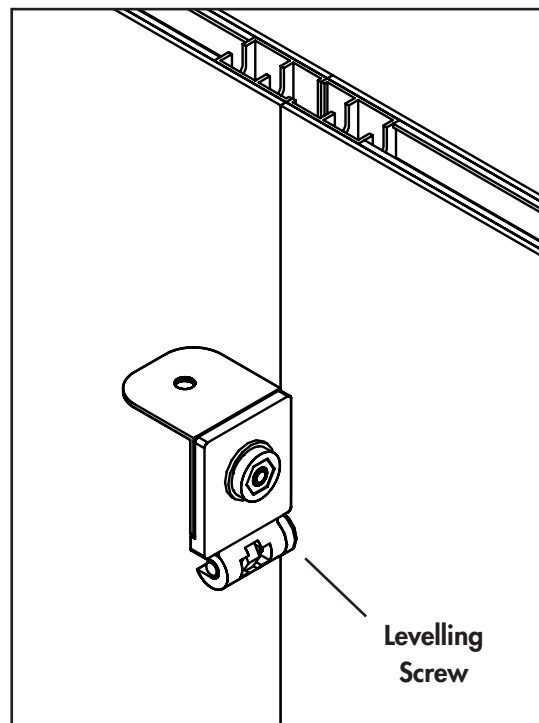
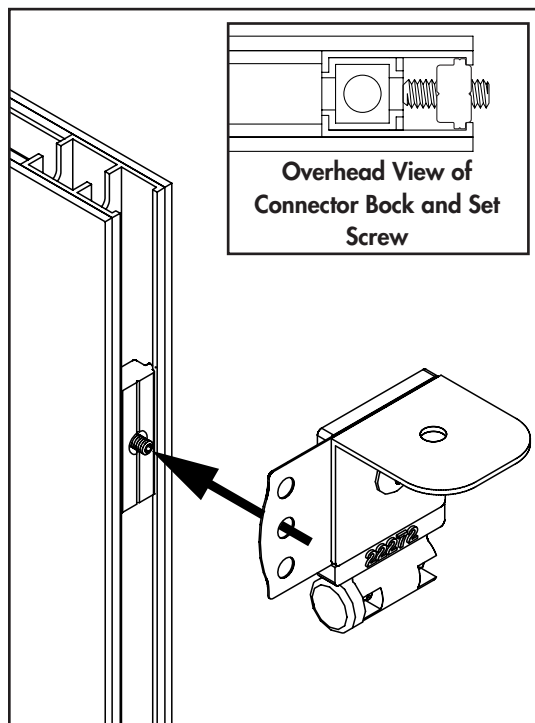
Pin on Literature Shelf

Counter Brackets



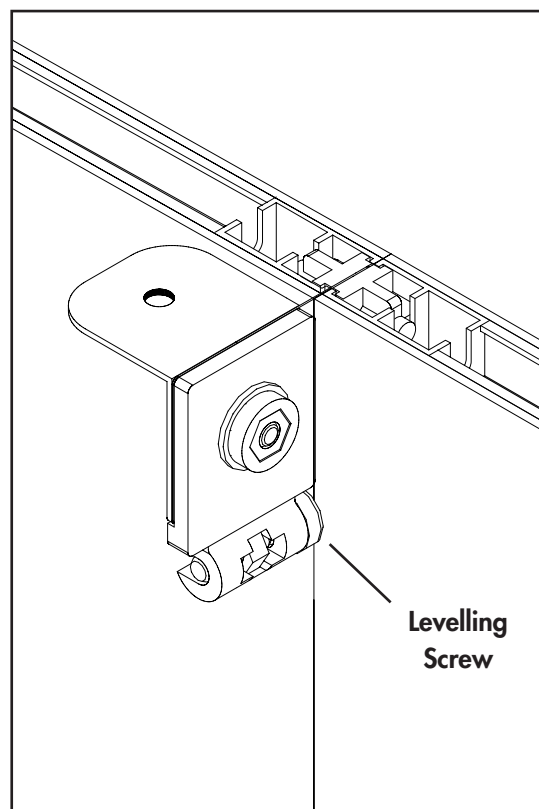
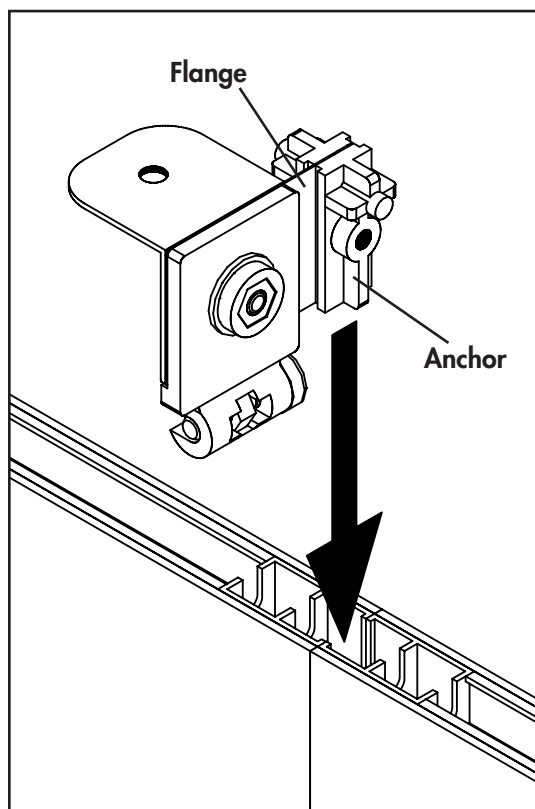
To mount Counter Bracket, slip connecting block into channel of panel frame, adjust block along the channel to required height and screw in retaining set screw. Bracket will fit onto protruding end of screw. Attach the next panel to secure the bracket. The leveling screw can be used to level the bracket if necessary.

Note: When breaking down display, do not remove the connector block and set screw. This will keep the proper position for the bracket during the next setup.

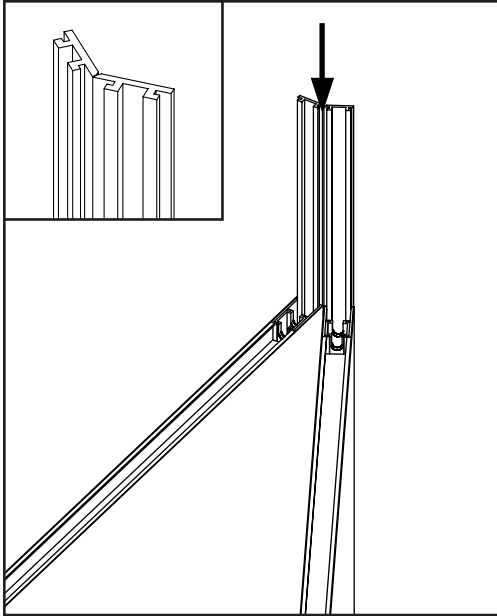


The Counter Bracket with Anchor mounts by fitting the anchor into the corners of two connected frames while fitting the bracket flange into the gap between the frames. The leveling screw can be used to level the bracket if necessary.

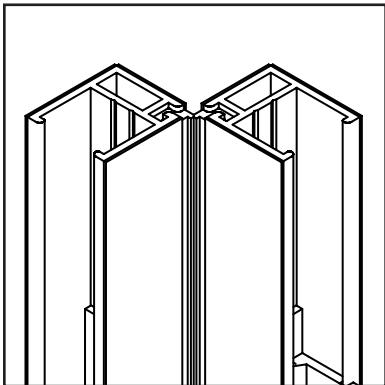
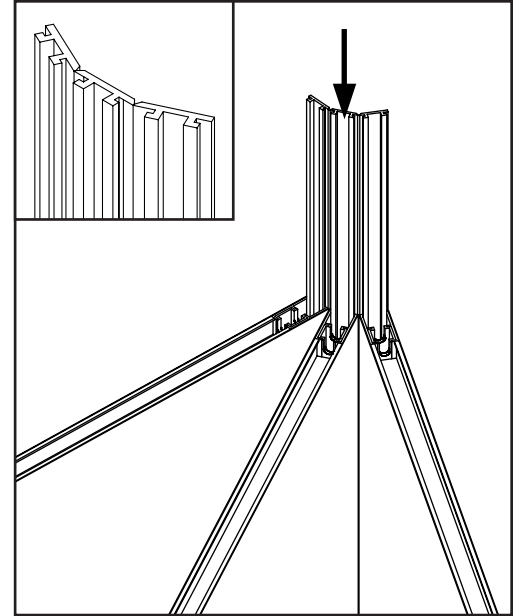
To remove simply lift up on the bracket before disassembling the panels.



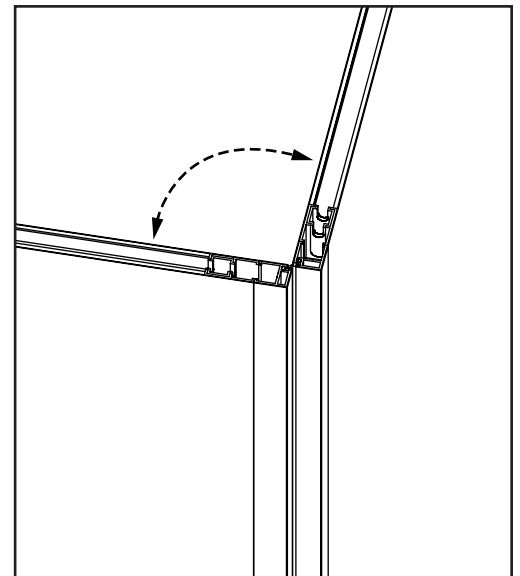
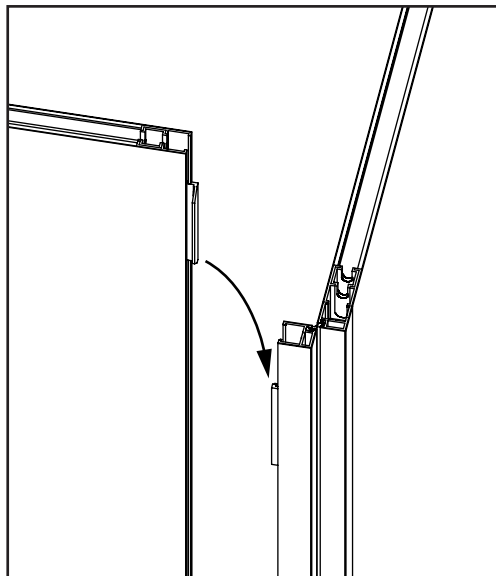
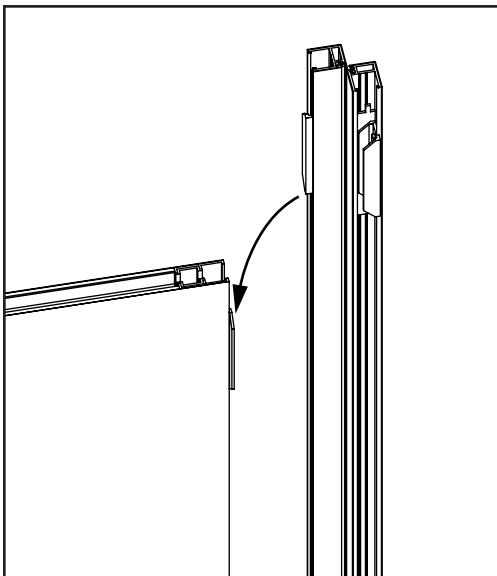
Hinges



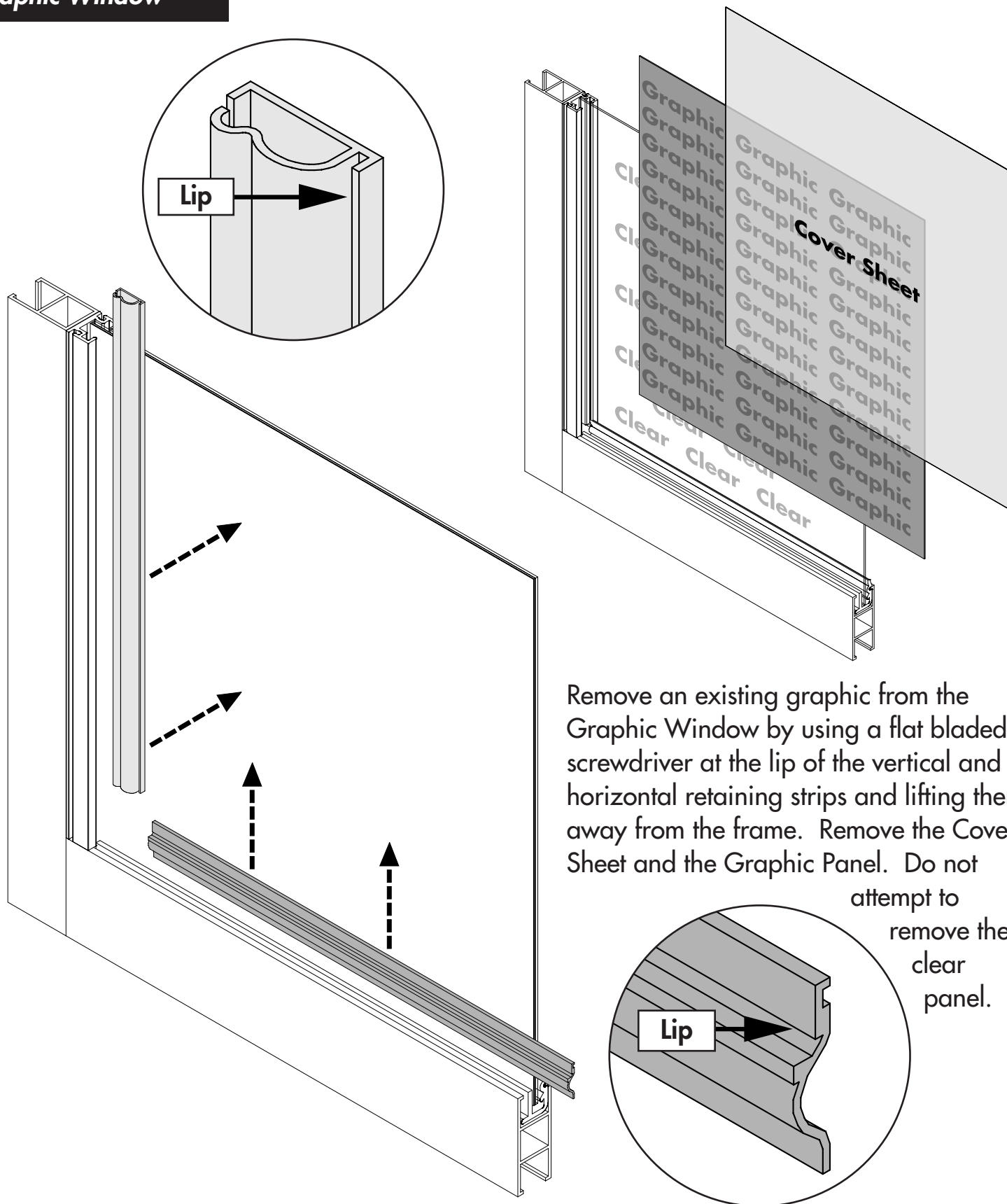
2-Way and 3-Way Hinges are installed by holding the appropriate number of panels edge-to-edge with each panel slightly angled away from the others. Slide the hinge down the channels of each of the panels until it is centered in the channel. **Note:** Panels cannot contain slide connectors on an edge being connected with a hinge.



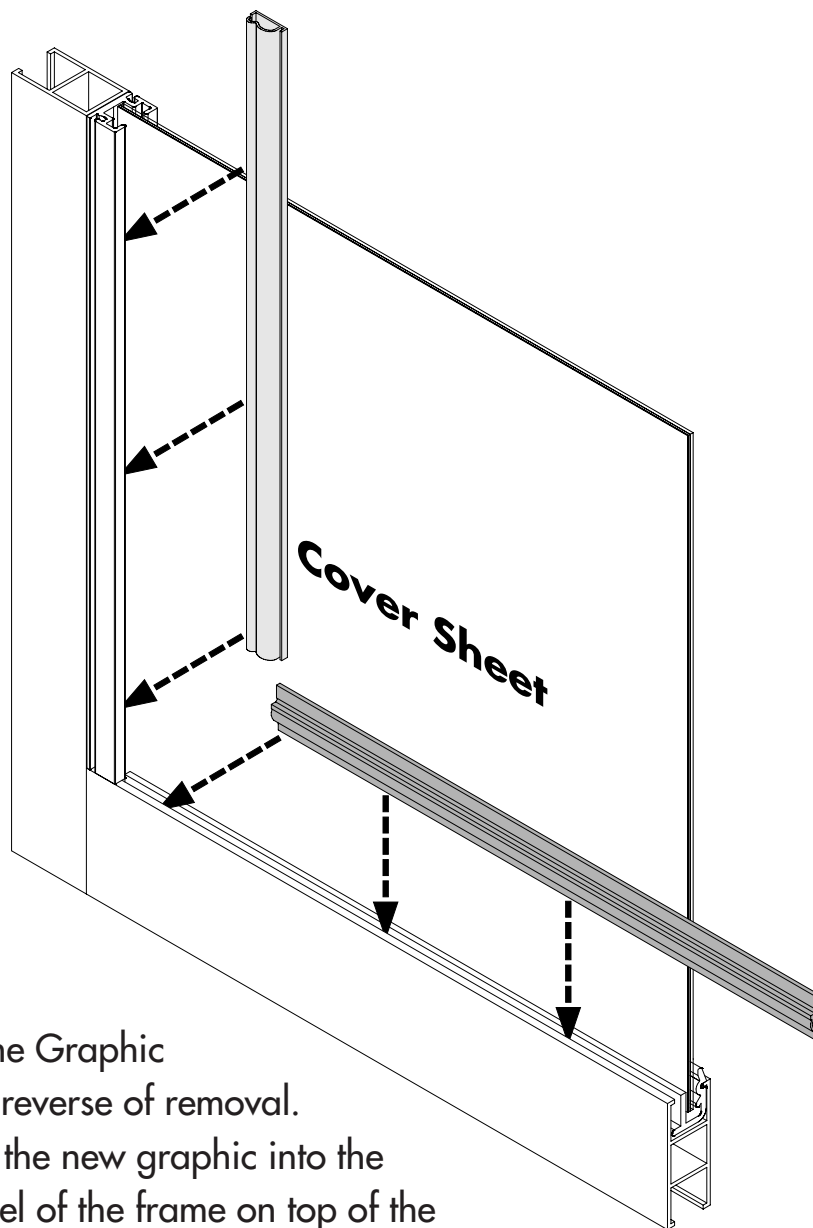
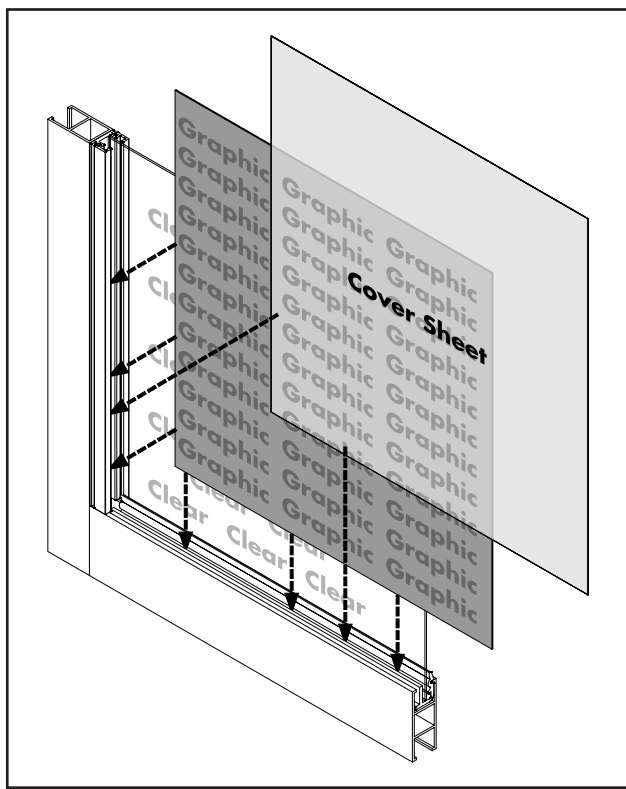
The **Flex Hinge** mounts much like a panel as it has side-by-side connectors in its channel. It gives a more finished look to panels that are connected.



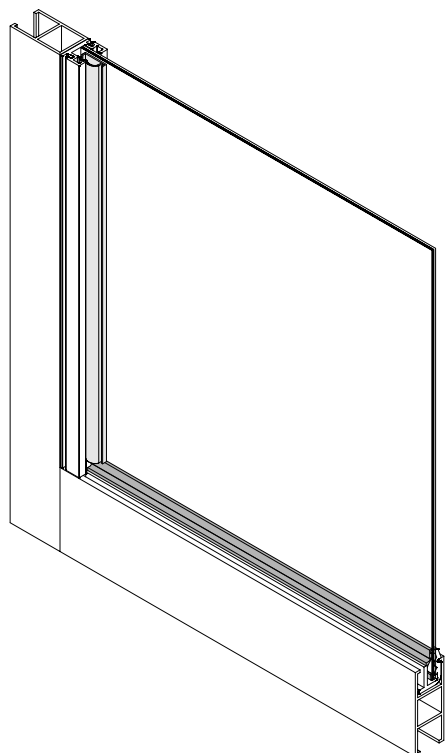
Graphic Window



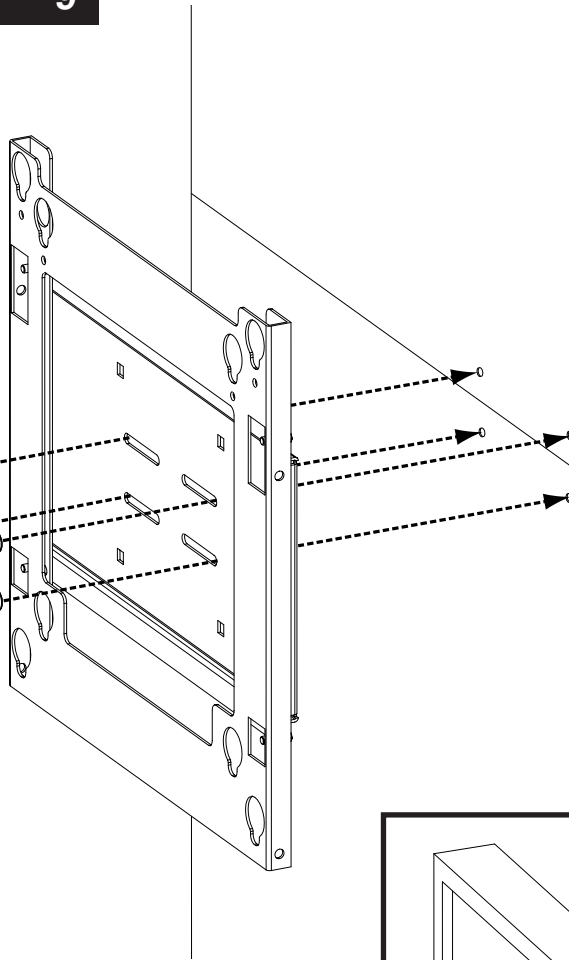
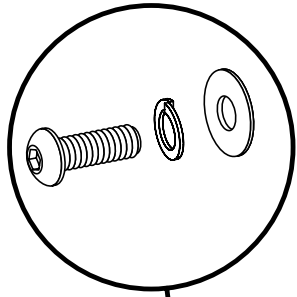
Graphic Window



Replacing the Graphic Panel is the reverse of removal. Carefully fit the new graphic into the inner channel of the frame on top of the clear panel. Replace the Cover Sheet. Press the upper and lower horizontal retaining strips into the inner channel to hold the panels in place. Finish by pressing the vertical retaining strips in place. Retaining strips will "snap" in to create a tight fit.



Plasma Screen Mounting



Note: Plasma Monitors weight a minimum of 100 lbs. The design of the exhibit structure must provide sufficient support and stability.

Bracket must be ordered with panels, as inserts must be permanently installed in the panel frame.

Mounting a bracket at a location other than a horizontal seam requires a custom panel with extrusions installed in the proper location during panel fabrication.

