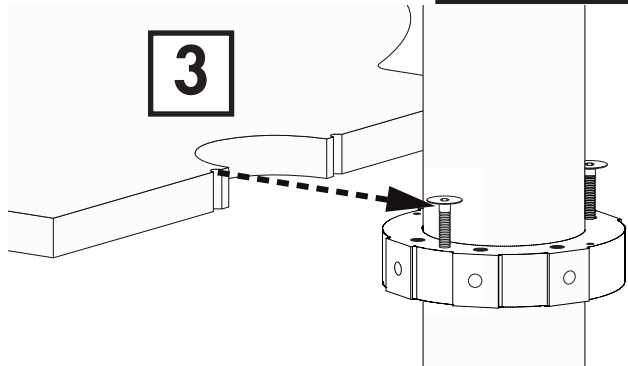
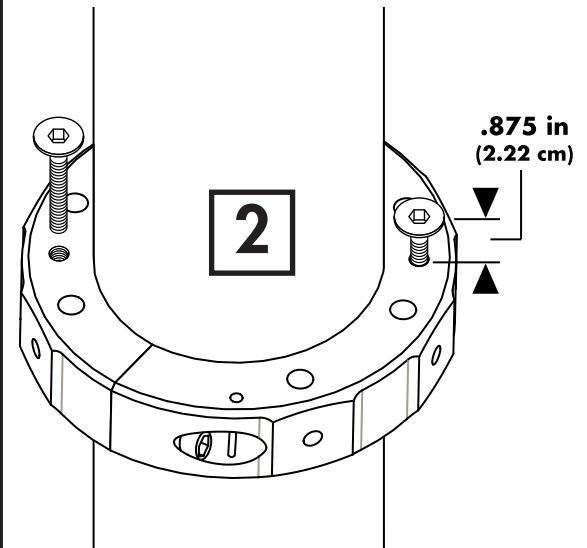


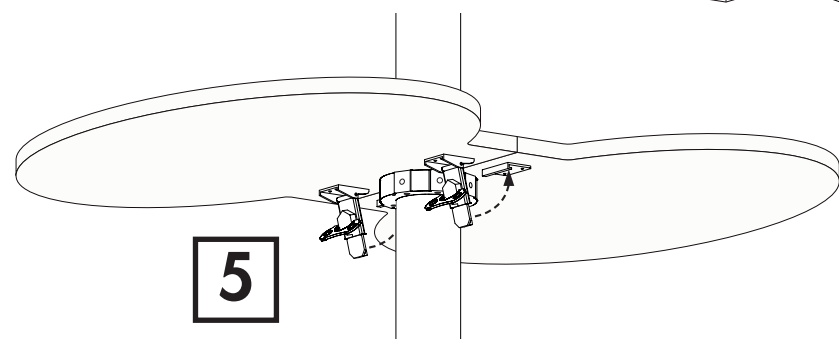
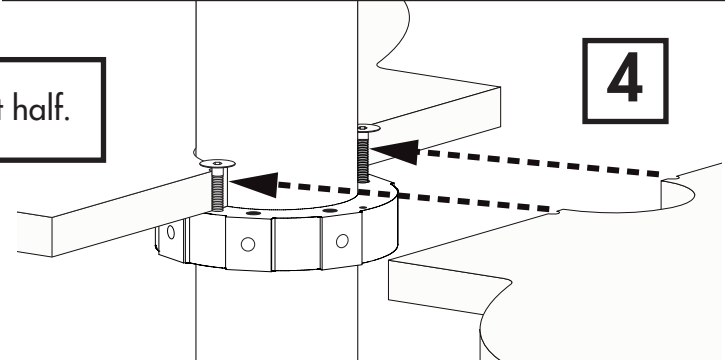
**Two Piece Counter Installation:**

1. Mount the tube collar onto the tube.
2. Screw 2 holding screws into the tapped holes on the top of the collar. Do not screw in all the way. Leave a gap of about .875" between the head of the screw and the collar.



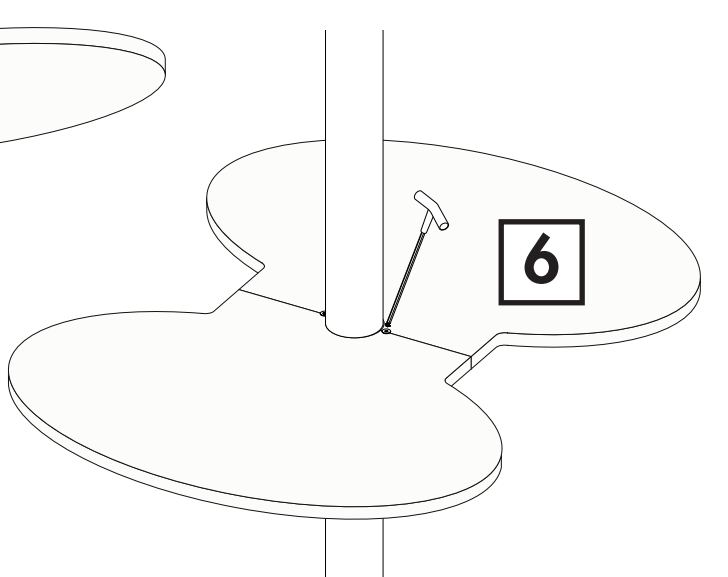
3. Place one half of the counter onto the collar, fitting upper edge of the counter under the heads of the screws. The smaller cutouts on the face of the counter will fit against the screws. The screws will hold this half of the counter in place until Step 6.

4. Fit the second half of counter against the first half.



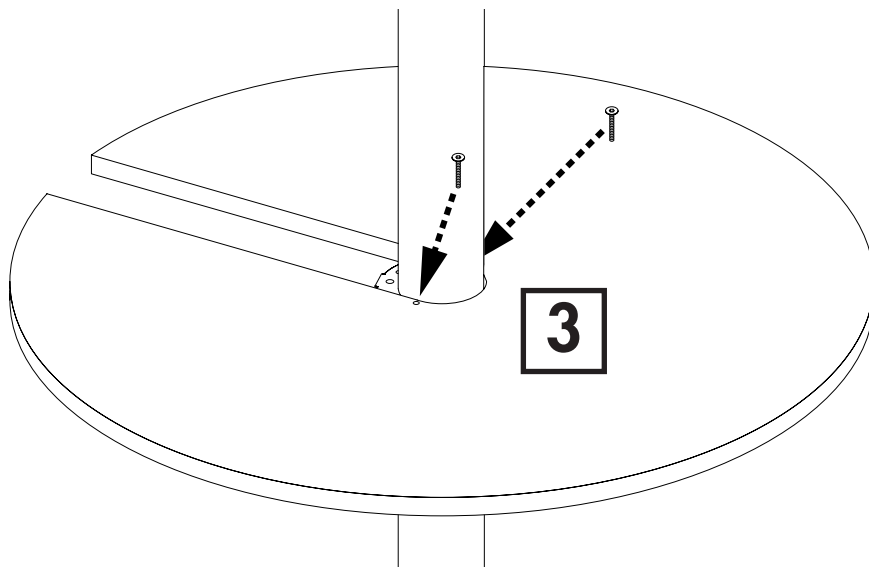
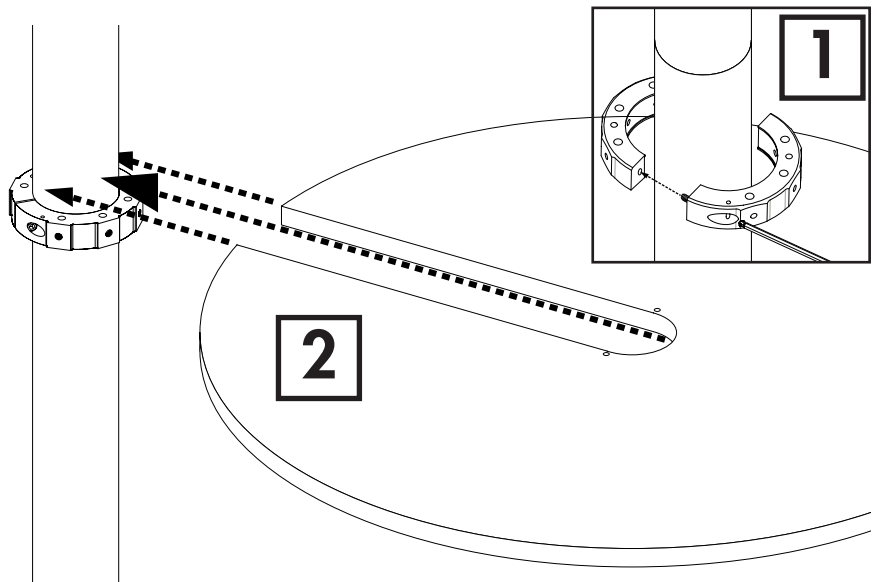
5. Reach under the counter and fasten the latches to lock the two halves together.

6. Tighten the holding screws.



## One Piece Counter Installation:

1. Mount the tube collar onto the tube.
2. Slide the counter top onto the collar until it fits against the tube and rests on the collar.



3. Drop the two holding screws into the small holes on either side of the cutout. Carefully rotate the counter top around the tube until the screws drop into the threaded holes in the collar.

4. Tighten the holding screws to secure the counter top.

